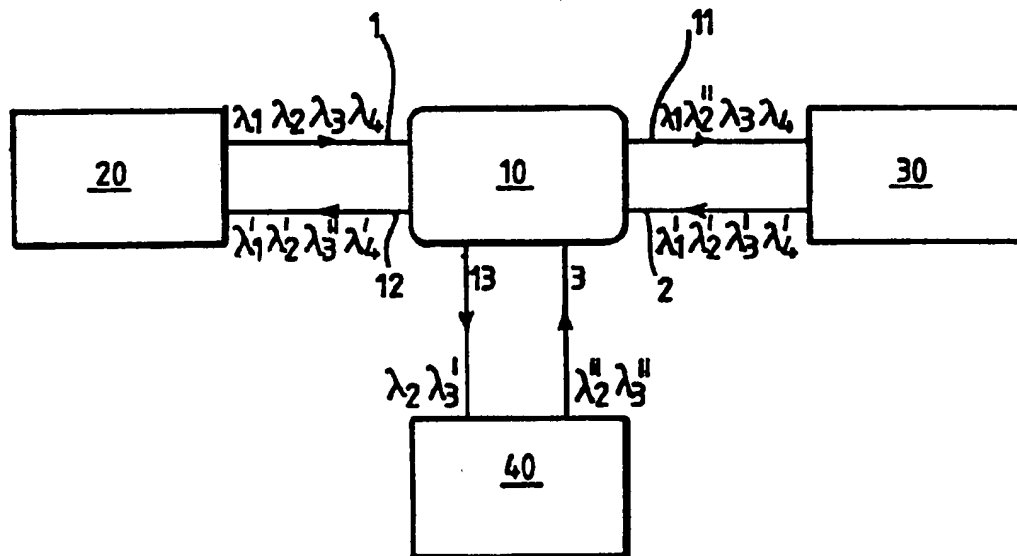




INTERNATIONAL APPLICATION PUBLISHED UNDER THE PATENT COOPERATION TREATY (PCT)

<p>(51) International Patent Classification ⁶ : H04J 3/08, 14/02</p>	<p>A1</p>	<p>(11) International Publication Number: WO 97/06614 (43) International Publication Date: 20 February 1997 (20.02.97)</p>
<p>(21) International Application Number: PCT/GB96/01891 (22) International Filing Date: 2 August 1996 (02.08.96) (30) Priority Data: 9516014.9 4 August 1995 (04.08.95) GB 9516016.4 4 August 1995 (04.08.95) GB 9516018.0 4 August 1995 (04.08.95) GB 9521839.2 25 October 1995 (25.10.95) GB 9526186.3 21 December 1995 (21.12.95) GB (71) Applicant (for all designated States except US): STC SUB-MARINE SYSTEMS LIMITED [GB/GB]; (A Company of ASN), Christchurch Way, Greenwich, London SE10 0AG (GB). (72) Inventors; and (75) Inventors/Applicants (for US only): JONES, Kevan, Peter [-/GB]; 6 Holly Villas, Ashprington, Totnes, Devon TQ9 7UU (GB). PETTITT, Martin [GB/GB]; 11 New Road, Old Harlow, Essex CM17 0DU (GB). (74) Agent: LAWRENCE, Richard, Anthony; Elkington and Fife, Prospect House, 8 Pembroke Road, Sevenoaks, Kent TN13 1XR (GB).</p>	<p>(81) Designated States: CA, CN, JP, US, European patent (AT, BE, CH, DE, DK, ES, FI, FR, GB, GR, IE, IT, LU, MC, NL, PT, SE). Published With international search report.</p>	

(54) Title: ADD/DROP MULTIPLEXER



(57) Abstract

A number of add/drop multiplexers comprising passive optical components for wavelength division multiplexing are described. These add/drop multiplexers are particularly adapted for use in branching units (10) of such networks to allow signals passing along fibres (1, 2, 11, 12) of a main trunk between terminal stations (20, 30) to be dropped to and added from a spur station (40), the design of the add/drop multiplexers allowing a reduced number of spur fibres (3, 13) to be used as signals are routed between trunk fibres (1, 2, 11, 12) at spur fibres (3, 13) according to carrier wavelength.

FOR THE PURPOSES OF INFORMATION ONLY

Codes used to identify States party to the PCT on the front pages of pamphlets publishing international applications under the PCT.

AM	Armenia	GB	United Kingdom	MW	Malawi
AT	Austria	GE	Georgia	MX	Mexico
AU	Australia	GN	Guinea	NE	Niger
BB	Barbados	GR	Greece	NL	Netherlands
BE	Belgium	HU	Hungary	NO	Norway
BF	Burkina Faso	IE	Ireland	NZ	New Zealand
BG	Bulgaria	IT	Italy	PL	Poland
BJ	Benin	JP	Japan	PT	Portugal
BR	Brazil	KE	Kenya	RO	Romania
BY	Belarus	KG	Kyrgyzstan	RU	Russian Federation
CA	Canada	KP	Democratic People's Republic of Korea	SD	Sudan
CF	Central African Republic	KR	Republic of Korea	SE	Sweden
CG	Congo	KZ	Kazakhstan	SG	Singapore
CH	Switzerland	LI	Liechtenstein	SI	Slovenia
CI	Côte d'Ivoire	LK	Sri Lanka	SK	Slovakia
CM	Cameroon	LR	Liberia	SN	Senegal
CN	China	LT	Lithuania	SZ	Swaziland
CS	Czechoslovakia	LU	Luxembourg	TD	Chad
CZ	Czech Republic	LV	Larvia	TG	Togo
DE	Germany	MC	Monaco	TJ	Tajikistan
DK	Denmark	MD	Republic of Moldova	TT	Trinidad and Tobago
EE	Estonia	MG	Madagascar	UA	Ukraine
ES	Spain	ML	Mali	UG	Uganda
FI	Finland	MN	Mongolia	US	United States of America
FR	France	MR	Mauritania	UZ	Uzbekistan
GA	Gabon			VN	Viet Nam

ADD/DROP MULTIPLEXER

5 The present invention relates to an add/drop multiplexer for wavelength division multiplexing. The invention is especially directed to use with fibre optic cables, in particular to use as a branching unit adapted for use in a fibre optic network. The invention further relates to such fibre optic networks, particularly in the context of submarine cable systems employing fibre optic cables.

10 Wavelength division multiplexing, termed WDM, (discussed in, for example, Hill, British Telecom Technology Journal 6(3): 24-31) is a technique of considerable benefit in optimising transmission of signals through fibre optic networks. In wavelength division multiplexing, traffic signals to be sent out by a station are modulated on to a number of carrier signals at different predetermined carrier wavelengths. Each predetermined carrier
15 wavelength is allocated according to the identities of the send station and of the intended receive station. Predetermined carrier wavelengths will be spaced sufficiently far apart in wavelength that they can be discriminated from each other by components of the fibre optic system, but in many networks will need to be grouped sufficiently closely that all carrier wavelengths can be amplified satisfactorily by the same amplifier in a repeater (or
20 in unrepeated systems, to be carried long distances without significant loss). The carrying capacity of a single fibre is enhanced by WDM - rather than carrying a single signal, the fibre is simultaneously carrying several signals, each of a different wavelength.

25 Most such transmission networks have a number of nodes at which one or more branches form away from a main trunk or ring. Typically, at these nodes one or more carrier wavelengths are dropped down one fibre of the branch and one or more carrier wavelengths (which may be the same as, or different from, those dropped from the trunk or ring) are added to the trunk or ring from another fibre of the branch. The component which performs such a function is an Add/Drop Multiplexer (ADM).

30

WDM is particularly well adapted to efficient routing of signals between send and receive stations. As different signals have different carrier wavelengths, optical components can

be used to route signals appropriately by directing them according to the carrier wavelength of the signal.

This can be done in an active manner, by splitting the signal into its component carrier wavelengths with a prism or similar component, and actively processing and routing the split signals to desired outputs. This solution is appropriate for use in an integrated device: a basic design for a multiplexer of this type is discussed in Dragone et al in IEEE Photonics Technology Letters 3(10):896-899, and designs employing arrayed-waveguide gratings are disclosed for an ADM in Okamoto et al in Electronics Letters 31(9):723-4 and for an optical splitter/router in Inoue et al in Electronic Letters 31(9):726-7. A difficulty with such silicon-based components is a lack of flexibility: to perform a specific add-drop function for particular wavelengths, a specific device will need to be fabricated. In a network it will be necessary for different nodes to add, drop, or pass different combinations of carrier wavelengths: with integrated components of the type described, it may prove necessary to fabricate different components for each node. This could require a different mask to be prepared for each component, and would as a consequence be likely to be prohibitively expensive for a customized network.

Alternatively, essentially passive optical components can be used which respond differently to different carrier wavelengths. This enables an essentially passive network to be constructed.

An example of an appropriate wavelength-sensitive optical component is a fibre Bragg grating. Fibre Bragg gratings are discussed in Bennion et al, Electronics Letters, Vol. 22,, 341-343, 1986. A Bragg grating is a notch reflection filter. Light is transmitted through the grating at all wavelengths apart from those falling within a narrow wavelength band. Light within the band is substantially totally reflected. With an appropriate spacing of carrier wavelengths in a WDM system, a fibre Bragg grating can be adapted to reflect only one of the carrier wavelengths and allow the others to pass.

An alternative approach to producing a practical ADM, employing fibre Bragg gratings, is proposed in Johnson et al in Electronics Letters 23(13):668-9. Refinements are shown in

Cullen et al, Electronics Letters, Vol. 30, 2160-2162, 1994, and Bilodeau et al, IEEE Photonics Technology Letters, Vol. 7, 388-390,1995. This ADM is an optical tap comprising a Mach-Zehnder interferometer. This optical tap is illustrated in Figure 1. It comprises two input fibres 101,102 and two output fibres 103,104, two 3dB directional
5 couplers 105 which split input light equally between output paths, and two interferometer arms of identical path length linking the couplers. In each arm there is a Bragg reflection filter 106 which passes light at wavelengths $\lambda_1, \lambda_2, \lambda_3$, but which reflects light at λ_0 . Light at wavelengths $\lambda_1, \lambda_2, \lambda_3$ passes from input 101 through both arms. It then combines constructively at output 103 and is transmitted out through it: however it combines
10 destructively at input 102 (because of the phase shift introduced) and is not transmitted. Light at wavelength λ_0 is reflected by both Bragg reflection filters, and in the same manner combines constructively to be transmitted through output 104 but combines destructively at input 101. An all-fibre mutiplexer/demultiplexer of this type is disclosed in Bilodeau et al in IEEE Photomics Technology Letters 7(4):388-390. For an ADM of this kind to function,
15 it is critical that the Bragg reflection filters are identical and that the optical paths in the interferometer branches are identical. This arrangement is thus highly sensitive and would be more so where more than the adding or dropping a single wavelength from a single trunk fibre is required.

20 It is necessary for proper operation of the device, as is indicated above, for the optical path of both "arms" of the interferometer to be balanced. Adjustment means can be provided for this purpose, to compensate for, for example, temperature variation. One means of balancing the optical paths is by preparing the device, including writing the gratings onto the fibres, and then exposing one of the arms to uniform UV light to photoinduce an average
25 index change in the fibre core (UV trimming). The resulting device is an add/drop multiplexer in the form of a Mach-Zehnder interferometer. This device is shown schematically in Figure 2. The Mach-Zehnder interferometer add/drop multiplexer 255 has two inputs, for the trunk input 251 and the branch add fibre 253, and two outputs, for the trunk output 252 and the branch drop fibre 254. There are two "normal paths" - from first
30 input to first output and from second input to second output - which are followed for all signals except for those at carrier wavelength λ_1 , which are rerouted to the other one of the two outputs. This device gives a simple and useful add/drop functionality, but is

disadvantageous in that two fibres (an add fibre and a drop fibre) are required in the branch for each trunk fibre. This arrangement does require the use of twice as many amplifiers on the spurs as on the main trunk.

5 A ring system employing fibre grating filters which reflect at a given one of the wavelengths used in the system is disclosed in Chawki et al, Electronics Letters 31(6):476-7. Each ADM node in the system, which is unidirectional, comprises a 2 fibre to 1 fibre coupler, a fibre grating filter which reflects at a wavelength λ_1 to be dropped and added at the ADM, but which transmits at other wavelengths used, and a second 2 fibre to 1 fibre coupler. At the
10 input side of the first 2 fibre to 1 fibre coupler are the input fibre from the ring and the output fibre to the branch, and at the output side is the fibre grating filter. The signal from the ring fibre passes through the coupler to the filter, but the signal at λ_1 , is reflected and passes to the branch through the output fibre. The transmitted signal goes to an input of the second 2 fibre to 1 fibre coupler, the other input being connected to an input fibre from the
15 branch so that a new signal at wavelength λ_1 can be added. This arrangement does provide an ADM, but a large number of components would be required if such an arrangement was to be employed in a more complex system as a fibre pair is required for each carrier wavelength to be dropped and added.

20 The use of three-port optical circulation in combination with Bragg gratings in the context of a WDM system is disclosed in Giles & McCormick, ThD 12:76-79. An optical circulator is a device in which light entering at one port is transmitted out through a specific subsequent port (and no other), the ports of the circulator thus forming a sequence. An ADM using this approach is disclosed in Giles & Mizrahi IOOC 95, ThC2-1 pages 66-67, and is illustrated
25 in Figure 3. A transmission at input 111 with carrier wavelengths λ_1 , λ_2 , λ_3 enters first circulator 115. The whole transmission passes out through the second port of the circulator to grating 116, which reflects the λ_1 component but allows the λ_2 and λ_3 components to pass. The λ_1 component thus returns to the second port of the first circulator 115, passes through to the next port in sequence, the third port, and thus passes out along drop branch 113. The
30 added signal at carrier wavelength λ_1 from add branch 114 enters the first port of the second circulator 117 and exits through the second port towards grating 116, which reflects it. The added λ_1 signal thus joins the λ_2 and λ_3 signals of the main transmission in entering the

second port of second circulator 117, and all three carrier wavelengths thus pass out through the third port of the second circulator 117. Such an ADM is effective for adding and dropping signals at a given wavelength to a single line, but complex networks would require a large number of such ADMs to be used.

5

There exists the need for an ADM which can be used in practical communication systems and which has a minimum number of components. It is desired for these components to be highly stable, and for there to be as little need as possible for matching components of the system to each other. In particular, it is desired to provide an ADM which is adapted for use in a practical two-way fibre optic system, with a pair of fibres carrying signals in opposite directions, to allow signals to be added from and dropped to a branch.

10

Accordingly, in a first aspect the invention provides an add/drop multiplexer for use in optical wavelength division multiplexing, the add/drop multiplexer having a first trunk input for receiving traffic signals from a first part of a first trunk fibre, a second trunk input for receiving traffic signals from a first part of a second trunk fibre, a first trunk output for outputting traffic signals to a second part of the first trunk fibre, a second trunk output for outputting traffic signals to a second part of the second trunk fibre, and a branch input for receiving traffic signals from a branch input fibre, and/or a branch output for outputting traffic signals to a branch output fibre; the add/drop multiplexer comprising: means for routing from the first trunk input to the branch output a first set of traffic signals at carrier wavelengths predetermined for transmission of signals from the first trunk fibre to the branch station and for routing from the second trunk input to the branch output a second set of traffic signals at carrier wavelengths predetermined for transmission of signals from the second trunk fibre to the branch station, and means for combining said first and second sets of traffic signals for output at the branch output; and/or means for separating traffic signals received at the branch input into a third set of traffic signals at carrier wavelengths predetermined for transmission of signals from the branch station to the first trunk fibre and a fourth set of traffic signals at carrier wavelengths predetermined for transmission of signals from the branch station to the second trunk fibre, and means for routing the third set of traffic signals to the first trunk output and the fourth set of traffic signals to the second trunk output respectively.

15

20

25

30

In a second aspect, the invention provides an add/drop multiplexer for use in optical wavelength division multiplexing, the add/drop multiplexer having a first trunk input for receiving traffic signals from a first part of a first trunk fibre, a second trunk input for receiving traffic signals from a first part of a second trunk fibre, a first trunk output for outputting traffic signals to a second part of the first trunk fibre, a second trunk output for outputting traffic signals to a second part of the second trunk fibre, and at least one branch input/output for outputting signals to and inputting signals from a branch fibre; the add/drop multiplexer comprising: means for routing from the first trunk input to a first one of said at least one branch input/outputs a first set of traffic signals at carrier wavelengths predetermined for transmission of signals from the first trunk fibre to the branch station and for routing from the first one of said at least one branch input/outputs to the trunk output of a first one of said first and second trunk fibres a second set of traffic signals at carrier wavelengths predetermined for transmission of signals from the branch station to said first one of the first and second trunk fibres.

15

In a third aspect, the invention provides an add/drop multiplexer for use in an optical wavelength division multiplexing system in which specific carrier wavelengths are assigned for transmission between different stations in the system, said add/drop multiplexer comprising: a first trunk input port for receiving traffic signals from a first part of a first trunk fibre of the system and a first trunk output port for providing traffic signals to a second part of said first trunk fibre; a second trunk input port for receiving traffic signals from a first part of a second trunk fibre of the system and a second trunk output port for providing traffic signals to a second part of said second trunk fibre; a branch input port for receiving traffic signals from a branch input fibre and a branch output port for providing traffic signals to a branch output fibre; signal splitting means to split the traffic signals input from each of said input ports into signals for provision to selected output ports in accordance with a routing determined by the carrier wavelengths of said traffic signals; signal coupling means for providing output traffic signals at each of said output ports, wherein for each one of said trunk output ports traffic signals from the corresponding trunk input port and from the branch input port at carrier wavelengths selected for routing to that trunk output port are combined for output to that trunk fibre, and wherein for the branch output port traffic signals from the trunk input ports at carrier wavelengths selected for routing to the branch station are

20

25

30

combined for output on the branch output fibre.

In a fourth aspect, the invention provides an add/drop multiplexer for use in an optical wavelength division multiplexing system in which the routing of traffic signals is determined by specific carrier wavelengths provided for said traffic signals, said add/drop multiplexer comprising: three or more four port optical circulators, respective ports of each optical circulator being connected to form a network; an input port and an output port for a first trunk fibre, for providing signals to and receiving signals from, respectively, designated ports of said three or more optical circulators; an input port and an output port for a second trunk fibre, for providing signals to and receiving signals from, respectively, designated ports of said three or more optical circulators; an input port and an output port for each of one or more branch fibres, for providing signals to and receiving signals from, respectively, designated ports of said three or more optical circulators; wherein one or more notch reflection filters are provided on said network between adjacent optical circulators for transmission of signals at predetermined ones of said specific carrier wavelengths and for reflection of signals at others of said specific carrier wavelengths, thereby routing signals from said input ports to designated ones of said output ports.

In a fifth aspect, the invention provides an add/drop multiplexer for use in an optical wavelength division multiplexing system, said add/drop multiplexer comprising a plurality of interconnected basic multiplexer units, each said basic multiplexer unit comprising a first input, a first output, a second input and a second output, and further comprising routing means such that signals at one or more predetermined carrier wavelengths are routed from the first input to the second output and from the second input to the first output, but such that signals at other carrier wavelengths are routed from the first input to the first output and from the second input to the second output.

In a sixth aspect, the invention provides an add/drop multiplexer for use in optical wavelength division multiplexing, said add/drop multiplexer having a first trunk input port for receiving traffic signals from a first part of a first trunk fibre and a first trunk output port to provide traffic signals to a second part of the first trunk fibre, a second trunk input port for receiving traffic signals from a first part of a second trunk fibre and a second trunk

output port to provide traffic signals to a second part of the second trunk fibre, and first and second branch input/output ports for receiving signals from and providing signals to branch fibres, wherein the add/drop multiplexer is adapted both to input one or more branch input signals and output one or more branch output signals at each of said input/outputs.

5

In a seventh aspect, the invention provides an add/drop multiplexer for use in optical wavelength division multiplexing, said add/drop multiplexer having a first trunk input port for receiving traffic signals from a first part of a first trunk fibre and a first trunk output port to provide traffic signals to a second part of the first trunk fibre, a second trunk input port for receiving traffic signals from a first part of a second trunk fibre and a second trunk output port to provide traffic signals to a second part of the second trunk fibre, and first and second branch ports for receiving signals from and providing signals to a branch station, wherein the add/drop multiplexer comprises: a first and a second five-port optical circulator for routing according to carrier wavelength to the branch station via the branch ports designated signals from the first and second trunk input ports, and for routing according to carrier wavelength to the first and second trunk output ports designated signals from the branch ports.

10

15

20

25

In at least the sixth and seventh aspects, the add/drop multiplexer may also comprise an exchange circuit which is adapted for connection to a branch input port, a branch output port, the first branch port and the second branch port, and adapted for receiving signals from a branch station through the branch input port and for routing them to the first branch port or the second branch port according to carrier wavelength, and further adapted for receiving traffic signals from the first branch port and the second branch port and for combining them for routing to the branch output port.

30

The invention also provides a branching unit for use in a fibre optic network comprising an add/drop multiplexer as indicated in any of the preceding aspects. The invention further provides a fibre optic network, comprising two terminal stations, two or more trunk fibres for connecting said two terminal stations, one or more branch stations each connected by a spur fibre to a fibre trunk defined by said two or more trunk fibres, and one or more branching units as indicated above on the fibre trunk each to allow exchange of traffic signals

between said trunk fibres and one or more of said spur fibres. Advantageously, such a fibre optic network is adapted such that a substantial part of said fibre trunk comprises submarine cable, and in that said one or more branching units are adapted for submarine use.

5 Specific embodiments of the invention are described below, by way of example, with reference to the accompanying Figures, of which:

Figure 1 shows a prior art optical tap comprising a Mach-Zehnder interferometer with Bragg reflection filters in each arm;

10

Figure 2 shows a schematic diagram of the inputs and outputs of a Mach-Zehnder interferometer multiplexer unit;

15

Figure 3 shows a prior art add/drop multiplexer which employs optical circulators and a Bragg reflection filter;

Figure 4 shows a basic example of the coupling scheme employed in the first to fourth embodiments of the invention;

20

Figure 5 shows an add/drop multiplexer according to a first embodiment of the invention;

Figure 6 shows a routing scheme for use in embodiments of the invention;

25

Figure 7 shows an add/drop multiplexer according to a second embodiment of the invention;

Figure 8 shows an add/drop multiplexer according to a third embodiment of the invention;

Figure 9 shows an add/drop multiplexer according to a fourth embodiment of the invention;

30

Figure 10 shows an add/drop multiplexer according to a fifth embodiment of the invention;

Figure 11 shows a routing scheme for use in a sixth embodiment of the invention;

Figure 12 shows an add/drop multiplexer according to a sixth embodiment of the invention;

Figure 13 shows an add/drop multiplexer according to a seventh embodiment of the invention.

5

Figure 14 shows an add/drop multiplexer of an eighth embodiment of the invention comprising a ring configuration of basic multiplexer units;

10

Figure 15 shows a further routing scheme to which an add/drop multiplexer according to embodiments of the invention is adapted;

Figure 16 shows a ninth embodiment of the invention comprising a linear configuration of basic multiplexer units;

15

Figure 17 shows a configuration of basic multiplexer units as shown in Figure 16 with loss balancing;

Figure 18 shows a linear configuration of basic multiplexer units as shown in Figure 3;

20

Figure 19 shows a still further routing scheme for use in tenth to fourteen embodiments of the invention;

Figure 20 shows an add/drop multiplexer according to a tenth embodiment of the present invention;

25

Figure 21 shows an add/drop multiplexer according to an eleventh embodiment of the present invention;

30

Figure 22 shows an add/drop multiplexer according to a twelfth embodiment of the present invention;

Figure 23 shows an add/drop multiplexer according to a thirteenth embodiment of the present

invention;

Figure 24 shows alternative routing options within a branching unit where bidirectional spurs are used;

5

Figure 25 shows an add/drop multiplexer according to a fourteenth embodiment of the present invention; and

10

Figure 26 shows an add/drop multiplexer according to a fifteenth embodiment of the present invention.

15

Figure 4 illustrates a basic coupling scheme used for the first to fourth embodiments of the invention. A first fibre optic line enters at first input port 1 and exits through first output port 11. A second fibre optic line, paired with the first fibre optic line but carrying signals in the opposite direction, enters at second input port 2 and exits at second output port 12. In the arrangement as shown in Figure 4, the branch point shown is at the end of a chain, so the fibres from first input port 1 and second output port 12 lead to a branch of the system, whereas the fibres from first input port 11 and second input port 2 lead to the next node of the system.

20

Signals are dropped to branch output port 13 and are added from branch input port 3. Routing of signals from the input ports to the appropriate output ports is achieved by two sets of components. Firstly, the signal from each input port is split into parts, with a part directed towards the output ports other than the one associated with that input port. This is achieved here by 3dB fibre optic couplers 21, 22, 23. For example, from first input port 1 the signal is transmitted to a first side of the fibre optic coupler 21. There is only one fibre connected to this first side of the coupler. On the second side of the coupler 21, there are two intermediate fibres, one directed to each of the output ports 11, 13 previously indicated. The second step is the combination of the signals in the relevant pair of intermediate fibres to provide the signal for each output port. This is in this case achieved with 3dB fibre optic couplers 31, 32, 33. For example, one intermediate fibre from coupler 23 and another intermediate fibre from coupler 21 are connected to a first side of fibre optic coupler 31.

25
30

At the second side of coupler 31 there is only a single fibre connected to first output port 11, so signals from the first port (via coupler 21) and the branch input port (via coupler 23) are coupled and transmitted out through the first output port 11.

5 In an arrangement such as that depicted in Figure 4, it is necessary for there to be a unique wavelength for transmissions from each station on the system to every other station: it is not even possible for transmissions between two stations to use the same carrier wavelength for forward and reverse transmissions. In the Figure 4 arrangement, it is thus necessary for each station to be provided with appropriate circuitry for selecting out each carrier wavelength so
10 that the different incoming transmissions can be isolated and detected.

In such an arrangement, there is a potential security problem. All signals are transmitted down the branch to the station at the end of the branch, and thus the branch station is capable of receiving all transmissions sent along the main trunk, even when these are not intended
15 to be received by the branch station. Even if the branch station is provided with electronic circuitry adapted only to detect signals on the wavelengths assigned to it, the possibility would exist for retuning or replacing the circuitry provided to enable access to traffic sent between other stations. Losses are also extremely high. This arrangement is thus of limited use in practice.

20 There is therefore a need to develop arrangements which do not have such problems of security. In a submarine cable system, security can be provided if signals not intended for a branch station are not allowed by the ADM for that branch to be transmitted out onto the branch drop fibre. Submarine cables are typically laid on the sea bottom such that branching
25 units (and hence ADMs) would be typically 30 to 50 miles offshore: the main trunk of the network is thus essentially inaccessible and the risk of access by a third party to a transmission between two other parties is remote.

30 The first embodiment of the invention, illustrated in Figure 5, shows one way in which the transmission of signals to stations for which the signals are not intended can be prevented. Most system elements are as in Figure 4, and are accordingly designated with the same reference numbers: the basic principles of operation are also the same. In Figure 4, both

branch output ports 13 and second output port 12 (as this is at the end of a main trunk) lead to branch stations. In the Figure 4 arrangement, the main trunk extends from first output port 11 and second input port 2 to another ADM connected to two stations (one along a branch, the other at the end of a trunk), but the system is readily extensible to larger numbers of stations. In this four station system are thus three carrier wavelengths to be received and sent by each branch station, each for carrying communications from one of the other three stations. These wavelengths are selected such that the carrier wavelengths to be dropped to a given station are all grouped together in wavelength, so that there is a wavelength range which includes these carrier wavelengths but none of the other carrier wavelengths is use on the system. Bandpass filters 41, 42 are then provided before outputs leading to stations to allow only the carrier wavelengths for signals intended for receipt by that station to pass through. The branch drop fibre connected to branch output port 13 and the station drop fibre connected to second output port 12 therefore carry only signals intended for receipt by the relevant station.

This arrangement, although substantially secure, is inefficient in its use of wavelengths. It is desirable to keep the number of carrier wavelengths used to a minimum in order both to simplify the range of equipment required and to ensure that even in large systems there is an adequate wavelength spacing between carrier wavelengths.

The second embodiment of the invention is illustrated in Figure 7 and enables a reduction of 50% in the number of wavelengths employed. This embodiment resembles the arrangement of Figure 4 in several respects, and the same reference numbers are used to identify components common to both arrangements.

Figure 6 illustrates a desirable configuration for a fibre optic network appropriate for use with the second and subsequent embodiments of the invention. The network has two main terminal stations 20,30 at opposite ends of a fibre trunk. The fibre trunk has two fibres carrying signals in opposite directions: fibre 1,11 carries signals from terminal station 20 towards terminal station 30 and fibre 2,12 carries signals from terminal station 30 towards terminal station 20. The network also has a third terminal station 40 located on a spur off the fibre trunk. Dropping of signals from the trunk fibres 1,2 to the spur station 40 and

adding of signals from the spur station 40 to the trunk fibres 11,12 is achieved by an add/drop multiplexer 10 at a branching station. The system may readily be expanded by adding further branching stations each comprising an add/drop multiplexer on the fibre trunk to connect to a spur to a further spur station.

5

A significant distinction between the second embodiment of the invention and the Figure 4 arrangement lies in the replacement of the signal splitting fibre optic couplers 21, 22, 23 with paired combinations of fibre optic couplers 51, 52, 53 and notch reflection filters 54, 55, 56.

10

The combination of fibre optic coupler and notch reflection filter is used to split the signal input through an input port into two components: one consisting only of carrier wavelengths for a first path, and the other consisting only of carrier wavelengths for a second path. Where the input port is one of the ports on the main trunk, this first path is for signals to continue along the trunk, and the second path for signals to be dropped at the branch. When the input port is from the branch, the first path is for signals to be transmitted in one direction along the trunk, and the second path is for signals to be transmitted in the opposite direction along the trunk.

15

20

For an example of how this is achieved, the coupler and filter pair of coupler 51 and notch reflection filter 54 is considered. Carrier wavelengths λ_1 , λ_2 , λ_3 are input through first input port 1 from a first station: λ_1 carries signals for transmission to the branch station, whereas λ_2 and λ_3 contain signals for transmission to stations further along the main trunk. First input port 1 is connected to a first side of fibre optic coupler 51. On the second side of fibre optic coupler 51 there is only one intermediate fibre, so the input signal is not split at this point but passes through the coupler to the intermediate fibre. On the intermediate fibre is a notch reflection filter which reflects λ_1 but which passes λ_2 and λ_3 . The λ_2 and λ_3 signals thus pass along the intermediate fibre towards coupler 31 and the first output port 11. The λ_1 carrier wavelength signal is however reflected towards the coupler 51. In addition to the fibre from the first input port 1, there is a second fibre connected to the first side of fibre optic coupler 51. This second fibre is an intermediate coupler leading to coupler 33 and hence to the branch output port 13. A signal at the λ_1 carrier wavelength after reflection at notch reflection filter 54 thus passes back through coupler 51 to coupler 33 through this

25

30

intermediate fibre, and hence is dropped through branch output port 13.

An equivalent arrangement for each of the coupler/filter pairings shown in Figure 7 can be devised. For example, in place of notch reflection filter 54 which reflects λ_1 , two reflection
5 filters could be used, one reflecting λ_2 and the other λ_3 . The intermediate fibre with the notch reflection filter would then be connected to coupler 33, and the intermediate fibre connected to the first side of coupler 51 would be connected to coupler 31: the same division of signals would then be achieved. The arrangement shown in Figure 7, in which
10 signals along the trunk fibre are not reflected whereas signals for output along the branch fibre are reflected at some point, may however be advantageous in that it would minimize losses along the trunk fibre and ensure that no inappropriate signal reached the branch output port.

As indicated previously, the Figure 7 arrangement allows for a 50% reduction in the number
15 of wavelengths used. In this arrangement, the carrier wavelength for forward transmission between two stations is also used for return transmission, thus achieving the stated reduction.

Appropriate notch reflection filters can be provided in the form of bulk optical components. However, a preferred choice for a notch reflection filter is a fibre Bragg grating. The use
20 of this component has been discussed above in relation to the prior art, and manufacture and optimisation of this component is discussed, inter alia, in Bennion et al, Electronics Letters 22(6):341-3, Dyer et al, Electronics Letters 30(14):1133-4, Malo et al, Electronics Letters 31(3):223-5, and Albert et al, Electronics Letters 31(3):222-3.

25 An advantage of using fibre Bragg gratings is that this enables an all-fibre design for the ADM, with no need to pass any of the signals through a bulk optical component. These components are also not especially lossy - loss is typically in the region of 0.3 dB to 0.5dB.

30 Although the components discussed above provide a particularly convenient form of filter for this purpose, it will readily be appreciated by the skilled man that alternative means to fibre Bragg gratings (or even to notch reflection filters) to reflect selected wavelengths and to allow other selected wavelengths to pass at appropriate points within the ADM.

In the Figure 7 arrangement, losses will not be balanced on every channel if conventional 50:50 fibre optic couplers are used. It is however a straightforward matter to balance losses throughout the system if required: this can be done by appropriate (non-50:50) choice of fibre optic couplers and by insertion of suitable amplifiers into the system.

5

The second embodiment of the invention as shown in Figure 7 is relatively efficient in its use of carrier wavelengths, but the provision of fibre optic couplers to achieve the required splitting of signals results in high losses. Figure 8 illustrates a third embodiment of the invention in which the introduction of an optical isolator allows for the removal of one of the fibre optic couplers and thereby significantly reduces the loss of certain carrier wavelengths (λ_4 , λ_5 in the form of the embodiment illustrated).

10

The system of the third embodiment substantially resembles that of the second embodiment, and where the same components are used in both embodiments, the same reference numbers have been used in the figures. The distinction between the arrangement shown in Figure 8 and that shown in Figure 7 lies in the mechanism for combining the signals tapped from the trunk fibres for dropping at branch output port 13. The λ_1 signal is dropped from the combined signal input at first input port 1 by the combination of fibre optic coupler 51 and notch reflection filter 54 as previously. However, there is now included on the intermediate fibre conveying this tapped signal towards branch output port 13 an optical isolator 59. This component, which is commercially available from companies such as E-TEK Dynamics, Inc., of 1885 Lundy Avenue, San Jose, CA 95131 USA, allows transmission of light in one direction but not in the other. This intermediate fibre now leads not to a coupler 33, but rather to a fibre optic coupler 58 which replaces fibre optic coupler 52 of the Figure 5 embodiment. Coupler 58 essentially resembles coupler 52, except in that on the second (notch reflection filter) side of the fibre optic coupler there is as well as the intermediate fibre to coupler 32, an input from the intermediate fibre leading from coupler 51 via isolator 59. On the first side of coupler 58, one of the fibres connected is from second input port 2 and the other leads to branch output port 13. This arrangement is effective for routing the required signals to branch output port 13 without introducing unwanted feedback signals into the system. The λ_1 signal originating at first input port 1 passes through fibre optic coupler 58 to branch output 13: any of this signal which is transmitted back out to second input port

15

20

25

30

2 will not cause difficulties. Of the signals input from second input port 2, it will be possible for these to pass down the intermediate fibre towards coupler 51: however, these signals will not be able to travel past the optical isolator 59. As the losses involved in the passage through the allowed direction of an optical isolator are significantly less than for passage through a fibre optic coupler, the losses for λ_4 and λ_5 carrier wavelengths are significantly lower than in the Figure 7 arrangement. Again, it would be straightforward to produce an equivalent arrangement by instead modifying the Figure 5 embodiment to provide an isolator on the intermediate fibre "carrying the" signal tapped for the branch output port from optical coupler 52 and by modifying appropriately fibre optic coupler 51 by use of a 2:2 coupler. Again, the arrangement as shown is not loss balanced, but loss balancing is straightforward to achieve by appropriate component choice and by insertion of amplifiers where necessary.

The fourth embodiment of the invention is depicted in Figure 9. This embodiment replaces all fibre optic couplers of previous embodiments with optical circulators. Optical circulators, which are referred to in certain of the prior art documents discussed earlier in the specification, are components with at least three ports for which there is a high optical transmissivity for signals entering one port for output from the next port in sequence, with a very high degree of isolation for the same path in the reverse direction. Optical circulators can also be obtained from E-TEK Dynamics, Inc, at the aforementioned address. Circulators are significantly less lossy than fibre optic couplers, the loss concerned being of the order of 1dB as compared to 3dB for a fibre optic coupler. In the arrangement depicted in Figure 9 as compared to that of Figure 7, each of the fibre optic couplers 51, 52, 53 for splitting the input signals has been replaced by a three port optical isolator and each of the fibre optic couplers 31, 32, 33 for combining the appropriate pair of split input signals has been replaced by the combination of a three port optical circulator and a notch reflection filter. The replacement of fibre optic couplers 31, 32, 33 by three port optical circulators 61, 62 and 63 is relatively straightforward. For example, for optical circulator 61, the input signal arrives in the same manner as previously from first input port 1. Substantially the whole signal passes out through the subsequent port of the optical circulator on to an intermediate fibre, and as before the λ_1 carrier wavelength is reflected by notch reflection filter 54 while the remaining wavelengths pass on in the direction of the first output port 11. The reflected λ_1 component returns to the second port of the optical circulator 61 and passes substantially

entirely out through the third port for routing towards branch output port 13. The replacement of the couplers 31, 32 and 33 for combining the relevant pair of split signals is slightly more complex. For example, the replacement of fibre optic coupler 31 by three port optical circulator 64 and notch reflection filter 67 is considered. Two signals are to be combined, one carrying λ_4 and λ_5 carrier wavelengths from branch input port 3, and one carrying carrier wavelengths λ_2 and λ_3 from first input port 1. The signal from branch input port 3 appears along the relevant intermediate fibre from three port optical circulator 63 through notch reflection filter 53. At optical circulator 64, this signal is transmitted substantially wholly out through the next port of the circulator along an intermediate fibre towards optical circulator 61. However, notch reflection filter 67 is provided to reflect both carrier wavelengths λ_4 and λ_5 originating from branch input port 3. This signal from branch input port 3 is therefore reflected back towards the circulator 64, where it passes out through the subsequent circulator port to first output port 11. The signal from first input port 1 which has passed through notch reflection filter 54 comprises carrier wavelengths λ_2 and λ_3 . This signal therefore also passes through notch reflection filter 67, and accompanies the signal from branch input port 3 through the circulator 64 and out through first output port 11. As this design employs only notch reflection filters and optical circulators, it has a low loss for all carrier wavelengths.

The fifth embodiment of the invention is illustrated in Figure 10. In the Figure 10 embodiment, as in previous embodiments, there is a first input port 1 and a first output port 11 for the first fibre of the trunk, a second input port 2 and a second output port 12 for the second fibre of the trunk, and also a branch input port 3 and a branch output port 13 for adding and dropping signals from the branch. This design however employs four port circulators. These circulators, also obtainable from E-TEK Dynamics, Inc., are similar to the three port circulators previously described in that the signal input to one port is then substantially wholly output through the next port in sequence. The system illustrated employs three such four port circulators 71, 72, 73. For each circulator, one port is connected to one of the three input ports, another port is connected to one of the three output ports, and the other two ports are each connected by an intermediate fibre to a different one of the other two circulators. The sequence order of ports at each circulator is: input port, connection to first one of other circulators, connection to second one of other circulators,

output port. The splitting of signals from a given input port so that components at different carrier wavelengths are routed to appropriate output ports is achieved by a combination of circulators as described together with notch reflection filters 74, 75 on the intermediate fibres. This combination of notch reflection filters 74, 75 and circulators 71, 72, 73 is also effective to couple the different sets of carrier wavelengths intended for transmission through appropriate ones of the output ports 11, 12, 13.

For the network shown in Figure 10, wavelength reuse is achieved not by having the same carrier wavelengths for forward and return communication between a given pair of stations as in the second to fourth embodiments, but rather by dropping a particular carrier wavelength from the trunk to the branch and then adding a new signal at the same carrier wavelength for onward transmission along the same trunk fibre. Such an arrangement is more appropriate for use in sending signals to and receiving signals from spur stations: the arrangement for wavelength reuse in earlier embodiments is more appropriate for communication between stations on the main trunk. For example, in the Figure 8 embodiment a signal having carrier wavelengths signals λ_1 , λ_2 , λ_3 , λ_4 is admitted to first input port 1. This signal is circulated in full to intermediate branch 74, where the λ_1 and λ_2 components are reflected by notch reflection filter 78. The λ_3 and λ_4 components however continue to optical circulator 72 and are circulated for transmission out through first output port 11. The λ_1 and λ_2 components are however reflected back to circulator 71 and circulated onwards through to intermediate fibre 75, where they pass through notch reflection filters 77 to circulator 73. At circulator 73, the λ_1 and λ_2 signals are circulated to branch output port 13 for dropping on the branch output fibre. Similarly, signals λ_1' , λ_2' , λ_3' , λ_4' are travelling in the opposite direction along the other trunk fibre and are admitted to the system through second input port 2. The λ_1' and λ_2' components are circulated through circulators 72, 73 and 71 in turn and exit through second output port 12. However, the λ_3' and λ_4' signals, after passing through circulators 72 and 73, are reflected by notch reflection filter 77 and return along intermediate fibre 75 to circulator 73, where they are then circulated to the output branch port 13. In this arrangement, the signals for onward transmission along the same fibre (that is, to pass into first input port and out through the first output port, or to pass in through the second input port and out through the second output port) are simply circulated by the system and pass without reflection through any of

the notch reflection filters on the intermediate fibres on which they travel, whereas the signals to be dropped through branch output port 13 are all reflected by one of the notch reflection filters 77, 78. This arrangement serves to ensure that only signals which are designated for reception at the branch station are output through branch output port 13.

5 Signals λ_1'' , λ_2'' , λ_3'' and λ_4'' are admitted through branch input port 3. These signals pass through optical circulator 73 onto intermediate fibre 76, and are then circulated onto intermediate fibre 74 by optical circulator 72. At this point the signal is split. λ_1'' and λ_2'' are reflected by notch reflection filter 78 and are circulated by circulator 72 out through the first output port 11, λ_1'' and λ_2'' thus replacing λ_1 and λ_2 on the first of the trunk fibres.

10 λ_3'' and λ_4'' however pass through notch reflection filters 78 and are circulated by optical circulator 71 onto intermediate fibre 75. These signals are then reflected by notch reflection filters 77 back to optical circulator 71 and are circulated out to second output port 12. λ_3'' and λ_4'' therefore replace λ_3' and λ_4' on the second of the trunk fibres.

15 The arrangement of Figure 10 can be readily scaled to allow one or more further branches to be connected to the same branching point. Additional branches can also receive dropped signals from the two trunk fibres and to replace these dropped signals with added signals at the same carrier wavelength. The general arrangement for such an add/drop multiplexer, with a second branch input port 4 and a second branch output port 14, is shown in Figure

20 11.

An add/drop multiplexer according to a sixth embodiment of the invention is illustrated in Figure 12 and provides the branching arrangement shown in Figure 11. Table 1 below illustrates the carrier wavelengths input and output at each of these ports.

Port	Description	Wavelengths In	Wavelengths Out
T1i	Trunk fibre 1 (in)	$\lambda_1, \lambda_2, \lambda_3, \lambda_4$	-
T1o	Trunk fibre 1 (out)	-	$\lambda_1'', \lambda_2''', \lambda_3, \lambda_4$
T2i	Trunk fibre 2 (in)	$\lambda_1', \lambda_2', \lambda_3', \lambda_4'$	-
T2o	Trunk fibre 2 (out)	-	$\lambda_1', \lambda_2', \lambda_3'', \lambda_4''''$
B1i	Branch fibre 1 (in)	λ_1'', λ_3''	-
B1o	Branch fibre 1 (out)	-	λ_1, λ_3'
B2i	Branch fibre 2 (in)	$\lambda_2''', \lambda_4''''$	-
B2o	Branch fibre 2 (out)	-	λ_2, λ_4'

Table 1 - Routing table for a 2 spur branching unit

The path for each carrier wavelength can be traced through the system employing the principles indicated with respect to the Figure 10 embodiment. This arrangement, which is expandable by addition of further four port optical circulators and appropriate notch reflection filters to allow further branches to be connected, has significant common features with the Figure 10 embodiment. For every circulator, the port sequence is input port, intermediate fibre connected to one of the other circulators, intermediate fibre connected to another one of the other circulators, output port. The circulators and intermediate fibres form a ring arrangement. Signals for onward transmission along a given trunk fibre are circulated without a reflection at any of the notch reflection filters, whereas signals to be dropped at one or other of the branch output ports 13, 14 are reflected at one or more notch reflection filters 89, 90, 91, 92. Notch reflection filters 89, 90, 91, 92 have the function both of splitting signals input from a given input port and of combining signals from different input ports for transmission through a common output port.

In the embodiment shown in Figure 12, the branches only exchange signals with the two trunk fibres. It is however quite possible with appropriate choices of filters and wavelengths for signals to pass between branches as well.

An advantageous feature of all of the embodiments described is that all the optical components employed are passive. None requires there to be any form of active control of the system, as the add drop multiplexers concerned simply route particular carrier wavelengths input through particular input ports through appropriate output ports according to a predetermined scheme in accordance with the characteristics of the components concerned. This is particularly advantageous in the field of submarine cables, where it is extremely difficult and time consuming to change or repair a component on a laid cable, as the cable is typically on the sea bottom and many miles offshore. For this reason it is also desirable for components for use in this field to be "qualified". In this context this has the meaning that the components used are warranted to remain stable over 25 years of use.

However, one practical possibility after development of systems such as those illustrated above is in switching certain of the notch reflection filters to change the routing within an

add/drop multiplexer. This allows more general modular components to be produced for configuration within a network, and also for the routing within a given system to be changed easily. The optical system resulting is still passive, in that all the optical components involved are passive. However, the switching of components, preferably remote switching of individual or groups of notch reflection filters, enables units to be produced to a more general modular design. One illustration of such switching, which could be applied to any of the embodiments described above employing notch reflection filters, is shown in Figure 13 illustrating a seventh embodiment of the invention. In this embodiment, a signal comprising $\lambda_1, \lambda_2, \lambda_3, \lambda_4$ is admitted through first input port 1 and signal $\lambda_1', \lambda_2', \lambda_3', \lambda_4'$ is admitted through second input port 2. Signals λ_2'', λ_3'' are admitted to the system through branch input port 3. With switchable gratings 93, 94 in the positions as shown, signal λ_2 is dropped through branch output port 13 and replaced by λ_2'' in the signal emitted through first output port 11. Likewise, λ_3' is dropped from the second fibre signal through branch output port 13 and is replaced by λ_3'' from branch input port 3 in the signal emitted through second output port 12. However, if the switchable notch reflection filters 93, 94 are switched to the alternative position shown, in which there is no notch reflection filter on either intermediate fibre 74 or intermediate fibre 75, the result is different. The entire signal from first input port 1 passes along the first fibre along through the first output port 11 and the entire signal from second input port 2 continues along the second fibre through second output port 12. Signals λ_2'' and λ_3'' from the branch input port pass through each circulator in turn before being sent back out through branch output port 13. As indicated previously, a different routing can be achieved by use of a different switching arrangement.

In the network shown in Figure 6, only one fibre 3 is provided to add signals from the spur station 40 to the trunk fibres 11,12 and only one fibre 13 is provided to drop signals from the trunk fibres 1,2 to the spur station 40. This configuration is not achievable by, say, using one Mach-Zehnder add/drop multiplexer with the functionality illustrated in Figure 2 on each trunk fibre 1,2. This would lead to use of one add fibre and one drop fibre for each trunk fibre - in this case, four fibres would be required for communication between the spur station 40 and the fibre trunk. If, as is possible, additional trunk fibres are provided, still more spur fibres would be required.

A fibre optic network as illustrated in Figure 6 is achievable with an add/drop multiplexer as shown in Figure 14, which illustrates an eighth embodiment of the invention. This add/drop multiplexer 1 comprises a plurality of interconnected basic multiplexer units 211,212,213,214. Each of these basic multiplexer units has the functionality of the Mach-Zehnder add/drop multiplexer discussed above with relation to Figure 2 - that is, there is a first input and a first output, and a second input and a second output, and routing means are provided such that signals pass from first input to first output and from second input to second output, except at certain predetermined carrier wavelengths, at which signals are routed from first input to second output and from second input to first output.

In this case the plurality of interconnected basic multiplexer units 211,212,213,214 comprises a ring network. For one basic multiplexer unit 211, the first input and first output are for the first trunk fibre 1,11. Similarly, for another basic multiplexer unit 212, the first input and first output are for the second trunk fibre 212. The second outputs of each of these basic multiplexer units 211,212 lead to the first and second input, respectively, of a third basic multiplexer unit 214. For this third basic multiplexer unit 214, one of the two outputs is connected to a drop fibre 13 to drop signals to the spur station. The other output is connected to an anti-reflection termination 215 to eliminate the possibility of signals passing on to unintended routes. In similar fashion, the second inputs of each of the first two basic multiplexer units 211,212 are connected to the first and second output, respectively, of a fourth basic multiplexer unit 213. For this fourth basic multiplexer unit 213, one of the two outputs is connected to an add fibre 3 so that signals can be added from the spur station 40, and the other of the two outputs is connected to an anti-reflection termination 215.

This arrangement provides the routing indicated in Figure 6. For example, consider signals at λ_2 . Signals at this carrier wavelength are dropped from trunk fibre 1 to spur station 40 at the add/drop multiplexer 10 and replaced on trunk fibre 11 by new signals from the spur station 40 at the same carrier wavelength. However, signals at this carrier wavelength on the other trunk fibre 2 are to pass through add/drop multiplexer 10 and remain on the trunk fibre. The signals at this carrier wavelength entering the add/drop multiplexer from each of the trunk fibres 1,2 and from the add fibre 3 are considered below.

The signal entering on fibre 1, termed λ_2 , enters the add/drop multiplexer at the first input of basic multiplexer unit 211. Basic multiplexer unit 211 has notch reflection filters for this wavelength, and is thus adapted to switch signals at this carrier wavelength from the normal path (first input to first output, second input to second output) so that signals are routed to the other output. Accordingly, the λ_2 signal is routed to the second output of basic multiplexer unit 211 and hence to the first input of basic multiplexer unit 214, rather than to the first output of basic multiplexer unit 211 and out back on to trunk fibre 11, as is the case for the remainder of the signals input on trunk fibre 1. Basic multiplexer unit 214 has no notch reflection filters for the λ_2 carrier wavelength, and so allows signals at this carrier wavelength to pass through it along the normal path, so the signal passes out through the first output of this basic multiplexer unit and on to branch output fibre 12, from which the signal passes to the spur station 40.

By contrast, the signal on fibre 2 at the same carrier wavelength, termed λ_2' , enters add/drop multiplexer 10 at the second input of basic multiplexer unit 212. This basic multiplexer unit allows signals at this carrier wavelength to continue along their normal path, so the λ_2' signal merely passes out of the second output of basic multiplexer unit 212 and back on to trunk fibre 12.

The signal from the spur station 40 at this carrier wavelength, termed λ_2'' , enters the add/drop multiplexer 10 at the second input of basic multiplexer unit 213. This basic multiplexer unit does reroute signals at this carrier wavelength away from the normal path, so the λ_2'' signal passes out through the first output to the second input of basic multiplexer unit 211. This basic multiplexer unit also reroutes signals at this carrier wavelength, so the signal passes to the first output of basic multiplexer unit 211 and exits on trunk fibre 11 - the λ_2'' signal has thus replaced the λ_2 signal on the first trunk fibre 11.

A similar analysis can be followed for signals at λ_3 . This can be seen to have the results indicated both in Figure 6 and Figure 14. Different routing arrangements employing the same basic principles, possibly involving expanded ring networks so signals can be routed for additional spur stations or branch fibres, would be available to the skilled man: this aspect of the invention is not limited simply to an arrangement with the routing indicated for

Figures 6 and 14.

An advantage of add/drop multiplexers in accordance with this aspect of the invention is that they can be constructed to be very low in loss. This is especially true if Mach-Zehnder add/drop multiplexers are used - these have losses which are typically between 0.5dB and 1dB for each path. There is the further advantage that the losses in such a device are symmetrical. If Mach-Zehnder add/drop multiplexers are employed as basic multiplexer units, the loss in the add/drop multiplexer will typically be of the order of 1dB in the trunk fibres and 2dB in the add to the trunk and in the drop from the trunk. This is attractive in system terms, as the additional loss in the spur can be accommodated simply by making the distance along the spur section from the add/drop multiplexer 1 to the first spur repeater slightly shorter. The symmetry of the system results in symmetry in the losses for equivalent paths through the add/drop multiplexer, which is generally attractive in system design.

There are further advantages in using Mach-Zehnder add/drop multiplexers as the basic multiplexer units. The add/drop multiplexer 1 may then be formed as an all-fibre device, containing no active components (not even the magnets and Faraday rotators used in optical isolators and optical circulators). Assembly is also very simple - only four fibre splices are required. The design is as a whole extremely compact, and offers the potential of a very high level of reliability as it is both simple and passive. However, it is quite possible to produce a device in accordance with this aspect of the invention by using basic multiplexer units of the same functionality but with a different construction and with different optical components - this is discussed further below.

Figure 15 shows a further network configuration to which an add/drop multiplexer according to aspects of the invention is adapted. In this network configuration, there is a third trunk fibre 1',11 carrying signals in the same direction as trunk fibre 1,11 and a fourth trunk fibre 2',12' carrying signals in the same direction as trunk fibre 2,12. Such an arrangement is appropriate if there are a large number of stations on the network: in such a case, carrying signals on a single trunk fibre in each direction may prove unacceptably slow or use wavelengths so inefficiently that satisfactory network performance cannot be achieved.

An add/drop multiplexer according to a further aspect of the invention and particularly adapted for use in a network configuration as shown in Figure 15 is illustrated in Figure 16. In this case, the plurality of interconnected basic multiplexer units comprise a linear network of matched pairs 221,222; 223,224; 225,226; and 227,228, of basic multiplexer units. Each
5 basic multiplexer unit of a pair has the same wavelength or wavelengths for rerouting from the normal path - in the case of pair 221,222, this is λ_1 . The first input and output of the first basic multiplexer unit 221 of the pair are connected to input fibres and output fibres for a given trunk fibre - in this case, trunk fibre 1,11. Consequently, the only signals rerouted away from trunk fibre 1,11 are at the carrier wavelength λ_1 ; the other signals simply pass
10 straight back out on to the continuation of the same trunk fibre.

The second input and output of the first basic multiplexer unit 221 of the pair and the first input and output of the second basic multiplexer unit 222 of the pair are connected in a ring. As the second basic multiplexer unit 222 reroutes the same carrier wavelengths as the first
15 basic multiplexer unit 221, the effect of this is that any signal rerouted from the normal path by the first basic multiplexer unit is also rerouted by the second, and vice versa: consequently, signals rerouted from the first input of the first basic multiplexer unit 221 pass to the second output of the second basic multiplexer unit 222 and signals rerouted from the second input of the second basic multiplexer unit 222 pass to the first output of the first basic
20 multiplexer unit 221. (The same general functionality may be achieved by using a single basic multiplexer unit rather than a matched ring - however, as discussed below, this is not amenable to loss balancing).

The second output of the second basic multiplexer unit 222 is connected to transmit signals
25 for routing to the drop fibre to the spur station 40. Consequently, the signal at λ_1 dropped from trunk fibre 1 is routed out through the second output of the second basic multiplexer unit 222 of the pair to be dropped to the spur station 40 on drop fibre 13. The second input of the second basic multiplexer unit 222, however, is connected to receive signals from spur station 40 received in the add/drop multiplexer 10 through add fibre 3. Signals at λ_1 from
30 the add fibre 3 are thus received at the second input of the second basic multiplexer unit 222 of the pair, routed through the ring to the first output of the first basic multiplexer unit 221, and pass out on first trunk fibre 11 to replace the signal at λ_1 dropped to the drop fibre 13

through the basic multiplexer unit pair 221,222.

5 The connection between matched pairs of basic multiplexer units is achieved by an add/drop line 203 passing from the add fibre 3 to the drop fibre 13 through the second inputs and outputs of the second basic multiplexer units 228,226,224,222 of each of the matched pairs of basic multiplexer units. The add/drop line in the embodiment shown originally carries signals at λ_1 , λ_2 , λ_3 and λ_4 from the spur station 40 along add fibre 3. At basic multiplexer unit 228, signals at λ_4 are dropped to trunk fibre 12 and are replaced by new signals at λ_4 from trunk fibre 2. The add/drop line then carries a combination of signals for adding to trunk fibres (at λ_1 , λ_2 and λ_3) and a signal for dropping to the spur station 40 (at λ_4) to the next basic multiplexer unit 226. Here the signal at λ_3 is replaced, and after similar transactions at basic multiplexer units 224 and 222 the add/drop line contains only signals for dropping to spur station 40: these are dropped along spur fibre 13.

15 As there will be a loss through each basic multiplexer unit, the losses in this system are asymmetrical - that is, the loss in the λ_1 signal from trunk fibre 1 to the drop fibre 13 will not be the same as that in the λ_4 signal from trunk fibre 2 to the drop fibre 13, and similarly, the loss in signals at the same respective wavelengths from the add fibre 3 to trunk fibres 11 and 12' will be different. It is desirable for efficient system design for these losses to be equalized. The design of Figure 16 lends itself easily to such loss equalisation by the addition of fixed optical attenuators to the rings in each basic multiplexer unit pair. A loss equalised version of the Figure 16 add/drop multiplexer is shown in Figure 17. A loss of 1dB for each passage through a basic multiplexer unit is assumed. Appropriate values of loss are chosen for fixed optical attenuators 231,232,233,234,235,236 so that each path between a trunk fibre and an add or drop fibre has a drop of 5dB. The asymmetry of the attenuator values on a single ring is less at the centre than in the end pairs on the chain - this is characteristic of the network design, and becomes more marked if the chain is extended.

30 This design is scalable from two wavelengths or trunk fibres (i.e. an arrangement as in Figure 6), to any number of wavelengths. There will be a simple progressive increase in losses for each increase in the number of wavelengths. This arrangement is thus particularly well adapted to modular design of fibre optic systems, and also of modular design of

individual add/drop multiplexers themselves, thus offering the possibility of simpler device fabrication.

5 The Figure 16 add/drop multiplexer and, as indicated previously, the Figure 14 add/drop multiplexer can both be produced using basic multiplexer units which are not Mach-Zehnder add/drop multiplexers, but which have the same functionality. A basic multiplexer unit of this functionality but which uses optical circulators in place of a Mach-Zehnder interferometer structure is that shown earlier in Figure 3.

10 This arrangement is in principle more lossy than the Mach-Zehnder add/drop multiplexer, but is readily employable as a basic multiplexer unit in any of the add/drop multiplexer structures described above. Figure 18 shows a two-trunk fibre version of the add/drop multiplexer of Figure 16 adapted to employ such optical circulator basic multiplexer units. The same functionality is achieved: one matched pair of basic multiplexer units comprises
15 optical circulators 261,262,263,264, notch reflection filters 281,282 and fibres 271,272,273,274. Losses are greater, but the same loss balancing principle as shown in Figure 17 can be employed by appropriate choice of attenuators on fibres 272 and 274 and on equivalent fibres in other matched pairs of basic multiplexer units.

20 Other alternative components may be used in alternative designs of basic multiplexer unit for use in aspects of the invention. Designs based on alternative optical components, such as grating assisted couplers, are envisaged, as well as alternative arrangements employing couplers and optical circulators. Fibre Bragg gratings are preferred as notch reflection filters as they are passive fibre components, and are thus adapted for use in simple and stable
25 design. This should render these components especially suitable for a preferred field of use of the invention, which is that of submarine fibre optic networks: in these cases, branching stations are frequently located on the sea bed several miles offshore - it is strongly desirable for all components used in this environment to be guaranteed to be stable for a substantial period of time (typically 25 years), as it is exceedingly difficult and slow to effect repairs.

30 Alternative components may however be used to achieve the desired functionality if necessary: for example, if fibre Bragg gratings cannot provide a desired level of temperature stability. Temperature compensation may however be achieved by use of temperature

compensated fibre Bragg gratings, obtainable by straining the grating to compensate for any thermal change in refractive index, or by fixedly mounting the grating on a ceramic of negative temperature coefficient to provide an alternative, physical, compensation mechanism. However, basic multiplexer units for use in this aspect of the invention do not necessarily require fibre Bragg gratings or any other form of notch reflection filter as components, although these are particularly advantageous - the man skilled in the art can readily devise alternative basic multiplexer units of the same functionality from other known optical components.

Figure 19 shows a fibre optic network adapted to utilise a branching unit with an add/drop multiplexer according to a further aspect of the invention. The fibre optic network has a trunk with a first trunk fibre 1,11 and a second trunk fibre 2,12, terminal stations 20 and 30 and a branch station 40, with a branching unit 10 generally as described for, say, Figure 6. However, the add/drop multiplexer 10 also has first and second branching input/outputs 303,304, and the branching unit 10 is adapted both to input one or more branch input signals and output one or more branch output signals at each of these inputs/outputs.

As the spur fibres are used for bi-directional transmission, they are not provided with repeaters. The relevant signals at given carrier wavelengths, also termed channels, can be simply combined and/or separated at branch station 40 by the use of a fibre optic coupler or an optical circulator. Use of an optical circulator is advantageous as this involves lower losses. Such a configuration allows the use of properties associated with the bi-directional transmission to determine where the channels are routed, and obviates any need for extra fibres.

This topology can be achieved by several different arrangements of components. A tenth embodiment of the invention is depicted in Figure 20. This employs a plurality of optical fibre couplers and wavelength routing means. The preferred wavelength routing means are notch reflection filters, and in particular fibre Bragg gratings, but alternative components with the same or comparable functionality could also be used.

The Figure 20 arrangement is adapted for use as branching unit 10 in Figure 19. It

comprises six fibre optic couplers 311, 312, 313, 314, 315 and 316 and two fibre Bragg gratings 317, 318. With regard to the first trunk fibre 1,11, an input signal is received at a first left side connection of fibre optic coupler 311 and an output signal is provided at a first right side connection of fibre optic coupler 312. Similarly, for the second trunk fibre 312 an input signal is provided at the second right side connection of coupler 316 and an output signal is provided at a second left side connection of coupler 315. A first branching unit bi-directional spur 303 is connected to the left side of coupler 313, and a second bi-directional spur 304 is connected to the right side of coupler 314. The couplers are connected in a ring. The right side connections of coupler 313 are connected to the free left side connections of couplers 311 and 315 respectively, and the left side connections of coupler 314 are connected to the free right side connections of couplers 312 and 316 respectively. The remaining linkages are those provided between the right side of coupler 311 and the left side of coupler 312, and between the right side of coupler 315 and the left side of coupler 316. These connections are each achieved by means of fibres having therein one or more fibre Bragg gratings. On the fibre between couplers 311 and 312 there is fibre Bragg grating 317, and on the fibre between couplers 315 and 316 there is fibre Bragg grating 318.

The design shown is effective when the same wavelength, in this case λ_i , is add/dropped on both trunk fibre 1,11 and trunk fibre 2,12. All other wavelengths passed straight along the first trunk and straight along the second trunk. However, signals at λ_i on the first trunk passed through coupler 311, are reflected at grating 317 and pass out through couplers 311 and 313 along spur fibre 303. In similar fashion, signals at this wavelength arriving on the second trunk fibre 2 pass out along spur fibre 304. Signals at this wavelength arriving on spur fibre 303 are reflected at grating 318 after passing through couplers 313 and 315 and pass back out through coupler 315 onto second trunk fibre 12. Similarly, signals arriving at this wavelength along spur fibre 303 pass out along first trunk fibre 11.

This design can be modified by inclusion of optical isolators to enable different wavelengths to be added or dropped from different fibres: the optical isolators serve to reduce crosstalk to acceptable levels.

By using optical circulators and fibre Bragg gratings the restriction of dropping only the same wavelength can be lifted. In the following embodiments, the same or different wavelengths can be used for adding and dropping signals for the different fibres.

5 Figure 21 shows an eleventh embodiment of the invention using three-port optical circulators. Again, the arrangement of Figure 21 is adapted to provide a branching unit 10 for the topology of Figure 19. In the arrangement of Figure 21, the input signals, output signals, branch input signals and branch output signals effectively comprise two sets, each set comprising one input signal, one output signal, one branch input signal and one branch
10 output signal, in such a way that three three-port optical circulators and one wavelength routing means, here a fibre Bragg grating, are provided for each set.

A first set comprises optical circulators 321, 322 and 323 and fibre Bragg grating 324. The first three-port optical circulator is adapted to receive at its first port signals from the second
15 "set", communicates through its second port with the second port of the second optical circulator 322 of the set through wavelength routing means 324, and from the third port provides an output signal, in this case for first trunk fibre 11. The remaining ports of the second optical circulator 322 are connected such that the first port receives an input signal, in this case again from the first trunk fibre 1, and the third port connects to the first port of
20 the third optical circulator 323 of the set. The second port of optical circulator 323 is connected to spur fibre 303 and the third port of optical circulator 323 is adapted to provide signals to the circulators of the other set.

In the case depicted, signals input on along the first trunk fibre 1 all pass through circulator
25 322 to fibre Bragg grating 324. Signals at all wavelengths other than λ_2 pass straight through grating 324 and circulator 321 out along first trunk fibre 11. Signals at λ_2 are reflected at grating 324 and passed back through circulator 322 to circulator 323 and then out onto spur fibre 303. Signals arriving from spur fibre 303 are circulated out through circulator 323 and into the first circulator, circulator 325, of the second set. Likewise, signals from the spur
30 fibre 304 of the other set appear (via circulator 327) at the first port of optical circulator 321. These pass through to grating 324, and signals at λ_2 are reflected back through circulator 321 and out onto the first trunk fibre to replace the signals dropped to spur fibre 303. Similar

results are achieved by the second set of circulators, with signals at wavelengths other than λ_3 passing straight along the second trunk fibre, and with signals at λ_3 being dropped to spur fibre 304 and replaced from spur fibre 303.

5 Figure 22 shows a modified version of this arrangement which reduces the number of components by replacing one pair of three-port optical circulators with a four-port optical circulator, with a consequent rearrangement in the connections provided. Achieving the Figure 19 arrangement thus requires a first and a second four-port circulator, a first and a second three-port circulator and a first and a second wavelength routing means. Each of the
10 four-port circulators is connected at one port to a trunk input or output, at another port to a branch input/output, at another port to one of the three-port circulators, and through the other port to the other four-port circulator through wavelength routing means 335. In this case, the first trunk input passes into first four-port circulator 331 at the first port, the second port of circulator 331 communicates with second four-port circulator 332 through wavelength
15 routing means 335, which here is a Bragg reflection filter centered at λ_2 , the third port of circulator 331 connects with first branch input/output 303, and the fourth port of circulator 331 connects with the first port of a first three-port circulator 333. The connections to the second four-port circulator 332 are effectively in reverse: the first port is connected to the third port of the second three-port circulator 334, the second port is connected to the other
20 branch input/output 304, the third port is connected to the other four-port circulator 331 through wavelength routing means 335, and the final port provides the signal for the first fibre output. The two three-port circulators 333 and 334 are connected to each other, through their second ports, by the other wavelength routing means 336, which is here a fibre Bragg grating reflecting at λ_3 . Again, the first circulator of this type is effectively mirrored
25 by the second circulator of this type, the third-port circulator 333 providing the signal for the second trunk output fibre and the first port of the second three-port circulator 334 receiving the signal from the second trunk input fibre.

30 The passage of signals through this arrangement is similar to that for the Figure 21 embodiment. For the first trunk fibre, signals at all wavelengths other than λ_2 pass straight through circulator 331, wavelength routing means 335, and circulator 332 to the first trunk fibre output 11. Signals at λ_2 are reflected by wavelength routing means 335 and pass out

along the first branch input/output fibre 303. Likewise, on the second trunk fibre, signals at wavelengths other than λ_3 pass straight through to the corresponding output fibre 12, whereas signals at λ_3 are reflected by wavelength routing means 336 and re-circulated by circulator 334 to circulator 332, where they then pass out to the second branch input/output fibre 304. Signals at λ_3 from first branch input/output fibre 303 are circulated through circulator 331 and circulator 333 to wavelength routing means 336, where they are reflected and re-circulated by circulator 333 to the second trunk fibre output 12 to replace the signal dropped to branch input/output 304. Similarly, the replacement signal from the second branch input/output 304 at λ_2 passes through circulator 332, reflects from wavelength routing means 335 and is circulated again by circulator 332 to pass out along the first trunk fibre output.

This arrangement is in some ways advantageous over that shown in Figure 21. Not only are the number of components reduced, the loss in the signal on the dropped channels will be reduced as these pass through fewer components.

An even smaller number of components is achieved in the arrangement shown in Figure 23. This employs only two optical components for each set of a trunk and branch fibre in achieving a topology of Figure 19. One of these optical components is a five-port optical circulator. These can be achieved in practice by using five ports of a six-port circulator such as those available commercially, for example, from JDS Fitel Inc. of Nepean, Ontario, Canada. The other component is a wavelength routing means, in this case a fibre Bragg grating.

Here there is essentially a symmetric arrangement between the first five-port optical circulator 341 and the second five-port optical circulator 342. In each case, a trunk input fibre inputs a signal to the first port. The second port is connected to the fourth port of the other five-port optical circulator through wavelength routing means 343, 344. The third port is connected to a branch input/output fibre 303,304. The fifth port is connected to a trunk fibre output. In this case, for a given five-port optical circulator the trunk fibre input connected to the first port relates to one trunk fibre, but the trunk fibre output connected to the fifth port relates to the other trunk fibre.

The functionality of the device is essentially that of the arrangement shown in Figures 21 and 22. Signals from the first trunk fibre at wavelengths other than λ_2 pass into the first port of circulator 341, through wavelength routing means 343, and then into the fourth port and out through the fifth port of circulator 342 onto the first trunk fibre output 11. Signals at λ_2 are reflected back into the second port of circulator 341 and pass out through the third port onto branch input/output fibre 303. These signals at λ_2 are replaced on the first trunk output fibre by signals received from the second branch input/output 304. These pass into the third port of circulator 342 and out through the fourth port of this circulator, are then reflected by wavelength routing means 343 back to the fourth port of circulator 342, and so also pass out through the fifth port of circulator 342. In the same fashion, the signals at wavelengths other than λ_3 pass directly along the second trunk fibre, whereas signals at λ_3 are dropped to the second branch input/output 304 and are replaced from the first branch input/output 303.

A particular advantage of this arrangement is that losses are balanced if the component losses from port to port are equal. In this case, if it assumed that the optical circulator has a 1 dB loss per circulation and the wavelength routing means, here a fibre Bragg grating, has a 0.5 dB loss both in reflection and transmission, then the port to port loss of this configuration is 2.5dB. This represents the minimum loss for a circulator and grating configuration, and provides an improvement upon the three and four-port arrangements. There are thus the considerable advantages in this design of a very low component count, of low and balanced losses, and of the opportunity to add and drop the same or different wavelengths from trunk fibres in different directions.

The arrangement shown in Figure 23 uses a given branch input/output to drop signals from one trunk at one wavelength and to replace signals on the other trunk at a different wavelength. This is in accordance with the drawing indicated "option 1" in Figure 24. However, an alternative routing option is available, in which a given branch input/output is used for dropping and replacing signals to the same fibre - this is shown in "option 2" of Figure 24.

The option 2 routing can also be achieved with use of a five-port circulator arrangement similar to that shown in Figure 23. Such an arrangement is shown in Figure 25. The

arrangement differs to that in Figure 23 in that for each circulator, the trunk fibre input and the trunk fibre output connected to the first and fifth ports respectively relate to the same trunk fibre. In addition, the connection between second and fourth ports is different: instead of the second port of one circulator being connected to the fourth port of the other, the second and fourth ports of the same circulator are connected together with wavelength routing means 353, 354 therebetween. This achieves the routing arrangement of option 2.

5 For first five-port circulator 351, signals are input from the first trunk fibre at the first port. Those signals at wavelengths other than λ_2 pass out through the second port and are transmitted directly through wavelength routing means 353 to the fourth port, and are

10 circulated out to the first output fibre through the fifth port. However, signals at λ_2 are reflected by wavelength routing means 353 and pass out through the third port onto first branch input/output 303. They are then replaced by signals at the same wavelength from branch input/output 303. The replacement signals are circulated out through the fourth port, are reflected by wavelength routing means 353 back to the fourth port, and consequently pass

15 through to the fifth port and out onto the first trunk fibre. The arrangement for the second five-port circulator 352 is similar, with signals at λ_3 dropped to second branch input/output 304 and replaced by new added signals at the same wavelength.

The loss performance of the Figure 23 and Figure 25 configurations is substantially identical, within device tolerances. In the pure Figure 19 topology, the choice of these two

20 arrangements is unlikely to be of particular importance - however, in modified routing arrangements employing active switching, it is likely that one routing or the other will be more suitable for a given circumstance.

25 Bi-directional spur arrangements such as those indicated in connection with Figure 19 are appropriate where the length of fibre to the branch station 40 is relatively short, as the performance of the branching unit can then be enhanced without significant degradation of the signals relating to the branch station. It is possible for signals to and from the bi-directional spurs to be separated or combined at the branch station 40 by use of a fibre optic

30 coupler or an optical circulator: use of an optical circulator will generally be preferred as this will reduce losses. However, it is not in all cases appropriate to use such an arrangement, as the distance to the branch station may be too great to allow signals to be

transmitted between branch station and branching unit without amplification. In such cases, essentially the same form of branching unit can be employed instead of existing arrangements by addition of an appropriate exchange unit to combine and split signals at the branching unit, rather than at the terminal station. The functionality shown earlier in Figure 6 results.

5

The Figure 6 routing scheme is achieved very efficiently in component usage by the Figure 10 device. However, this device has the disadvantage that the losses from port to port vary from 2.5 to 5dB, assuming a loss of 1 dB for each circulation and a loss of 0.5dB for transmission through or reflection from a grating. Such a lack of balance in losses is undesirable from the point of view of the system, as it then becomes difficult to balance the power in each wavelength division multiplexed channel, such power balance being important for optimum transmission performance. A modification of a bi-directional spur design by addition of an exchange unit to provide uni-directional spurs is shown in Figure 26. The basic arrangement shown is that of Figure 25, though it can be appreciate that modified forms of other bi-directional spur arrangements indicated above can be employed.

10

15

The arrangement of Figure 26 differs from that of Figure 25 only in that the third ports are now connected to the exchange unit, rather than to branch inputs/outputs directly. The routing of signals not to be exchanged with the branch is unaffected. Signals at λ_2 are dropped from the first trunk fibre into the exchange unit 370 from the third port of the first five-port circulator 361. The exchange unit 370 comprises two four-port circulators 371, 372 and two wavelength routing means 373, 374, here fibre Bragg gratings at λ_2 and λ_3 . The signal at λ_2 received from the first five-port circulator enters the third port of the first four-port circulator 371 of the exchange unit and is circulated to the fourth port. This signal passes to second wavelength routing means 374, centered at λ_3 , and thus passes straight through this component to the third port of second four-port circulator 372. This signal is circulated to the fourth port, and out to the branch output fibre 13. The replacement signal at λ_2 is provided along the branch input fibre 3 to the first port of first four-port circulator 371 of the exchange unit 370. The signal is circulated out through the second port and reflected at first wavelength routing means 373, which is centred at λ_2 , back to the first four-port circulator 371 and out through the third port back to the third port of first five-port circulator 361. The behaviour for the second trunk fibre is essentially similar in relation to

20

25

30

signals at λ_3 . These are dropped from the trunk through the third port of second five-port circulator 362, are passed into the second and out through the third port of second four-port circulator 372 of the exchange unit, are then reflected by wavelength routing means 374 and eventually pass out of the fourth output of second four-port circulator 372 to branch output fibre 13. Similarly, signals at λ_3 are provided by branch input fibre 3 through circulator 371, grating 373, and circulator 372 to the third port of circulator 362.

This design is particularly advantageous, in that it provides a balanced loss budget. A comparison of the losses of the designs of Figure 10 and Figure 26 is shown in Table 2 below.

Routing	Loss (dB)	
	Fig. 10	Fig. 26
T1i → T1o	2.5	2.5
T2i → T2o	3.5	2.5
Bi → T1o	3.5	5.0
Bi → T21o	5.0	5.0
T1i → Bo	4.0	5.0
T2i → Bo	3.5	5.0

Table 2 - Routing loss comparison

This assumes a loss of 1dB for each circulation and of 0.5 dB for reflection from or transmission through a grating. As can be seen, a low loss of 2.5dB is achieved for direct passage along a trunk fibre, with a larger but consistent loss of 5.0dB for dropping a signal to a branch fibre or for adding a signal from a branch fibre. A greater number of components are used than in Figure 10, but the improved loss budget may provide compensatory advantages in practice.

As can be seen from the above, use of bi-directional spurs in branching units of wavelength division multiplexed fibre optic systems can be particularly advantageous to reduce losses and to provide simple systems. Particularly simple and convenient systems are provided by the use of five-port optical circulators. Bi-directional spur arrangements can be used in
5 conjunction with appropriate hardware within a branch station to split and combine signals as appropriate: alternatively, an exchange unit can be provided within the branching unit to enable the advantageous design of bi-directional spur branching units, particularly those employing five-port circulators, to be modified for use with uni-directional spur fibres carrying either signals from the branch station to the branching unit or signals from the
10 branching unit to the branch station.

5

CLAIMS

1. An add/drop multiplexer for use in optical wavelength division multiplexing, the add/drop multiplexer having a first trunk input for receiving traffic signals from a first part of a first trunk fibre, a second trunk input for receiving traffic signals from a first part of a second trunk fibre, a first trunk output for outputting traffic signals to a second part of the first trunk fibre, a second trunk output for outputting traffic signals to a second part of the second trunk fibre, and a branch input for receiving traffic signals from a branch input fibre, and/or a branch output for outputting traffic signals to a branch output fibre;

15 the add/drop multiplexer comprising:

means for routing from the first trunk input to the branch output a first set of traffic signals at carrier wavelengths predetermined for transmission of signals from the first trunk fibre to the branch station and for routing from the second trunk input to the branch output a second set of traffic signals at carrier wavelengths predetermined for transmission of signals from the second trunk fibre to the branch station, and means for combining said first and second sets of traffic signals for output at the branch output; and/or

25 means for separating traffic signals received at the branch input into a third set of traffic signals at carrier wavelengths predetermined for transmission of signals from the branch station to the first trunk fibre and a fourth set of traffic signals at carrier wavelengths predetermined for transmission of signals from the branch station to the second trunk fibre, and means for routing the

5 third set of traffic signals to the first trunk output and the fourth set of traffic
signals to the second trunk output respectively.

2. An add/drop multiplexer as claimed in claim 1, wherein both said branch input and
said branch output are provided, and wherein both said means for routing and
10 combining said first and second sets of traffic signals and said means for separating
and routing said third and fourth sets of traffic signals are provided.

3. An add/drop multiplexer for use in optical wavelength division multiplexing, the
add/drop multiplexer having a first trunk input for receiving traffic signals from a
15 first part of a first trunk fibre, a second trunk input for receiving traffic signals from
a first part of a second trunk fibre, a first trunk output for outputting traffic signals
to a second part of the first trunk fibre, a second trunk output for outputting traffic
signals to a second part of the second trunk fibre, and at least one branch input/output
for outputting signals to and inputting signals from a branch fibre;

20 the add/drop multiplexer comprising:

 means for routing from the first trunk input to a first one of said at least one
branch input/outputs a first set of traffic signals at carrier wavelengths
predetermined for transmission of signals from the first trunk fibre to the
25 branch station and for routing from the first one of said at least one branch
input/outputs to the trunk output of a first one of said first and second trunk
fibres a second set of traffic signals at carrier wavelengths predetermined for
transmission of signals from the branch station to said first one of the first and

- 5 second trunk fibres.
4. An add/drop multiplexer as claimed in claim 3, wherein two branch input/outputs are provided, and wherein the add/drop multiplexer further comprises means for routing from the second trunk input to a second branch input/output a third set of traffic
10 signals at carrier wavelengths predetermined for transmission of signals from said second trunk fibre to the branch station, and means for routing from the second branch input/output to the trunk output of a second one of the first and second trunk fibres a fourth set of traffic signals at carrier wavelengths predetermined for transmission of signals from the branch station to the second one of the first and
15 second trunk outputs.
5. An add/drop multiplexer as claimed in claim 3, wherein the first one of the first and second trunk fibres is the first trunk fibre, and the second one of the first and second trunk fibres is the second trunk fibres.
- 20
6. An add/drop multiplexer as claimed in claim 3, wherein the first one of the first output and second trunk fibres is the second trunk fibre, and the second one of the first and second trunk fibres is the first trunk fibre.
- 25
7. An add/drop multiplexer as claimed in claim 6 consisting of passive optical components.
8. An add/drop multiplexer as claimed in claim 7 and comprising fibre Bragg gratings.

5 9. An add/drop multiplexer as claimed in claim 7 or 8 and comprising optical circulators.

10. An add/drop multiplexer as claimed in any of claims 7 to 9 and comprising Mach-Zehnder interferometers.

10

11. An add/drop multiplexer for use in an optical wavelength division multiplexing system in which specific carrier wavelengths are assigned for transmission between different stations in the system, said add/drop multiplexer comprising:

15 a first trunk input port for receiving traffic signals from a first part of a first trunk fibre of the system and a first trunk output port for providing traffic signals to a second part of said first trunk fibre;

a second trunk input port for receiving traffic signals from a first part of a second trunk fibre of the system and a second trunk output port for providing traffic signals to a second part of said second trunk fibre;

20

a branch input port for receiving traffic signals from a branch input fibre and a branch output port for providing traffic signals to a branch output fibre;

25

signal splitting means to split the traffic signals input from each of said input ports into signals for provision to selected output ports in accordance with a routing determined by the carrier wavelengths of said traffic signals;

5 signal coupling means for providing output traffic signals at each of said output ports,
 wherein for each one of said trunk output ports traffic signals from the corresponding
 trunk input port and from the branch input port at carrier wavelengths selected for
 routing to that trunk output port are combined for output to that trunk fibre, and
 wherein for the branch output port traffic signals from the trunk input ports at carrier
10 wavelengths selected for routing to the branch station are combined for output on the
 branch output fibre.

12. An add/drop multiplexer as claimed in claim 11, wherein the signal coupling means
 comprises a fibre optic coupler for each one of said output ports to couple signals
15 received from said signal splitting means after routing to said one of the output ports.

13. An add/drop multiplexer as claimed in claim 11 or claim 12, wherein the signal
 splitting means comprises a fibre optic coupler for each of the input ports, the fibre
 optic coupler for any given one of said input ports having at a first side of the coupler
20 an input fibre from said one of the input ports and at a second side of the coupler
 two output fibres, said two output fibres being in the case of a trunk input port for
 routing signals to the corresponding trunk output port and to the branch output port,
 and in the case of the branch input port for routing signals to the first and second
 trunk output ports.

25 14. An add/drop multiplexer as claimed in claim 13, wherein a filter is provided for
 signals routed to the branch output port which is adapted to transmit carrier
 wavelengths assigned for transmission of signals to the branch output fibre but which

- 5 is not adapted to transmit carrier wavelengths not assigned for transmission of signals to the branch output fibre.
15. An add/drop multiplexer as claimed in claim 11 or claim 12, wherein the signal splitting means comprises for each of said input ports a component or set of
10 components with an input path for receiving signals from said one of said input ports and with first and second output paths for routing signals to a first one of said output ports and a second one of said output ports respectively, wherein on said first output path there are one or more notch reflection filters for reflecting signals at carrier wavelengths assigned for transmission to said second one of said output ports and for
15 transmitting signals at carrier wavelengths assigned for transmission to said first one of said output ports, and wherein signals at carrier wavelengths assigned for transmission to said second one of said output ports are routed after reflection at said notch reflection filters on to said second output path.
- 20 16. An add/drop multiplexer as claimed in claim 15, wherein the component or set of components comprises a fibre optic coupler in which the input path and the second output path are provided on fibres connected to a first side of the coupler and the first output path is provided on a fibre connected to a second side of the coupler.
- 25 17. An add/drop multiplexer as claimed in claim 16 where dependent on claim 12, further comprising in the second output path of the fibre optic coupler to which the first input port provides an input an optical isolator, which allows transmission of signals from said fibre optic coupler, but which does not allow transmission of signals towards said

- 5 fibre optic coupler, wherein said second output path provides an input to the fibre
optic coupler for splitting the signal from the second input port, the second output
path from the fibre optic coupler for the first input port being connected to the second
side of the fibre optic coupler for the second input port, the fibre optic coupler for
the second input port thereby also serving as the signal coupling means for the
10 branch output port.
18. An add/drop multiplexer as claimed in claim 15 wherein said component or set of
components comprises an optical circulator for which a first port in sequence is
connected to the input path, a second port in sequence is connected to the first output
15 path, and the third port in sequence is connected to the second output path.
19. An add/drop multiplexer as claimed in claim 18 wherein for each one of the output
ports the signal coupling means comprises an optical circulator, a first port in
sequence of said optical circulator being for receiving signals routed from a first one
20 of said input ports, a second port in sequence of said optical circulator being for
receiving signals routed from a second one of said input ports, and a third port in
sequence of said optical circulator being for providing signals to said one of the
output ports, wherein one or more notch reflection filters are provided on a fibre
connected to the second port in sequence to reflect signals at carrier wavelengths
25 assigned for transmission of signals from said first one of said input ports to said one
of the output ports.
20. An add/drop multiplexer as claimed in any of claims 15 to 19, wherein the carrier

5 wavelengths assigned for transmission into the first trunk input port are the same
carrier wavelengths as assigned for transmission of signals out of the second trunk
output port, the carrier wavelengths assigned for transmission into the second trunk
input port are the same carrier wavelengths as assigned for transmission out of the
first trunk output port, and the carrier wavelengths assigned for transmission into the
10 branch input port are the same carrier wavelengths as assigned for transmission out
of the branch output port.

21. An add/drop multiplexer as claimed in claim 15, said multiplexer comprising three
or more four port optical circulators, wherein for each of said four port optical
15 circulators, the optical circulator is configured such that one of said input ports is
connected to one of said four ports of the circulator, one of said output ports is
connected to another of said four ports, and the other two ports of said four ports are
each connected to a different one of said optical circulators, and wherein said one or
more notch reflection filters are provided in the paths connecting pairs of said optical
20 circulators.

22. An add/drop multiplexer for use in an optical wavelength division multiplexing
system in which the routing of traffic signals is determined by specific carrier
wavelengths provided for said traffic signals, said add/drop multiplexer comprising:
25 three or more four port optical circulators, respective ports of each optical circulator
being connected to form a network;

5 an input port and an output port for a first trunk fibre, for providing signals to and receiving signals from, respectively, designated ports of said three or more optical circulators;

an input port and an output port for a second trunk fibre, for providing signals to and receiving signals from, respectively, designated ports of said three or more optical
10 circulators;

an input port and an output port for each of one or more branch fibres, for providing signals to and receiving signals from, respectively, designated ports of said three or
15 more optical circulators;

wherein one or more notch reflection filters are provided on said network between adjacent optical circulators for transmission of signals at predetermined ones of said specific carrier wavelengths and for reflection of signals at others of said specific
20 carrier wavelengths, thereby routing signals from said input ports to designated ones of said output ports.

23. An add/drop multiplexer as claimed in claim 22, wherein said network is a ring.

25 24. An add/drop multiplexer as claimed in claim 22 or 23, wherein for each of said four port optical circulators, one of said four ports is connected to one of said input ports, a further one of said four ports is connected to one of said output ports, and the remaining two of said four ports are connected to other ones of said optical

- 5 circulators, each being connected to a different one of said optical circulators.
25. An add/drop multiplexer as claimed in any of claims 21 to 24, wherein for each of
said four port circulators, a first port in sequence is connected to one of said input
ports, a second port in sequence is connected to one of the other four port circulators,
10 a third port in sequence is connected to another one of the other four port circulators,
and a fourth port in sequence is connected to one of said output ports.
26. An add/drop multiplexer as claimed in any of claims 21 to 25, wherein the add/drop
multiplexer comprises three four port optical circulators and wherein the input port
15 and the output port connected to each of the four port optical circulators, respectively,
are the first trunk fibre input port and the second trunk fibre output port, the second
trunk fibre input port and the first trunk fibre output port, and the branch fibre input
port and the branch fibre output port.
- 20 27. An add/drop multiplexer as claimed in any of claims 21 to 24, wherein the add/drop
multiplexer comprises four or more four port optical circulators and the four port
optical circulators are connected to each other in a ring, wherein said an additional
branch input port and branch output port are provided for each four port optical
circulator beyond the third.
- 25 28. An add/drop multiplexer as claimed in any of claims 21 to 27, wherein the carrier
wavelengths assigned for signals to be dropped from a given trunk fibre to a given
branch output fibre are the same carrier wavelengths assigned for addition from the

5 branch input fibre of that branch to the given trunk fibre.

29. An add/drop multiplexer as claimed in any of claims 15 to 28, wherein signals of a carrier wavelength assigned for routing from one of said trunk fibres to any branch output fibre are reflected at one or more of said notch reflection filters when input
10 at the input port of said one of said trunk fibres.

30. An add/drop multiplexer as claimed in any of claims 15 to 29, wherein signals of a carrier wavelength for routing along one of said trunk fibres and not to any branch output fibre pass through to the output port for said one of said trunk fibres without
15 reflection when input at the input port for said one of said trunk fibres.

31. An add/drop multiplexer for use in an optical wavelength division multiplexing system, said add/drop multiplexer comprising a plurality of interconnected basic multiplexer units,
20

 each said basic multiplexer unit comprising a first input, a first output, a second input and a second output, and further comprising routing means such that signals at one or more predetermined carrier wavelengths are routed from the first input to the second output and from the second input to the first
25 output, but such that signals at other carrier wavelengths are routed from the first input to the first output and from the second input to the second output.

32. An add/drop multiplexer as claimed in claim 31 and further comprising a first trunk

- 5 input for receiving traffic signals from a first part of a first trunk fibre, a second trunk input for receiving traffic signals from a first part of a second trunk fibre, a first trunk output for outputting traffic signals to a second part of the first trunk fibre, a second trunk output for outputting traffic signals to a second part of the second trunk fibre, a branch input for receiving traffic signals from a branch input fibre, and
- 10 a branch output for outputting traffic signals to a branch output fibre.
33. An add/drop multiplexer as claimed in claim 32, wherein the plurality of interconnected basic multiplexer units comprise a ring network in which the first input and the first output of a first one of the plurality of basic multiplexer units are the
- 15 first trunk input and the first trunk output and the first input and the first output of a second one of the plurality of basic multiplexer units are the second trunk input and the second trunk output.
34. An add/drop multiplexer as claimed in claim 33, wherein the second outputs of said
- 20 first and second ones of the plurality of basic multiplexer units are each connected to respective inputs of a third one of the plurality of basic multiplexer units, and wherein one output of said third one of the plurality of basic multiplexer units is the branch output port.
- 25 35. An add/drop multiplexer as claimed in claim 34, wherein an output of the third one of the plurality of basic multiplexer units not connected to the branch output port is connected to an anti-reflection termination.

- 5 36. An add/drop multiplexer as claimed in any of claims 33 to 35, wherein the second inputs of the first and second ones of the plurality of basic multiplexer units are each connected to respective outputs of a fourth one of the plurality of basic multiplexer units, and wherein one input of said fourth one of the basic multiplexer units is connected to the branch input port.
- 10 37. An add/drop multiplexer as claimed in claim 36, wherein an input of the fourth one of the plurality of basic multiplexer units not connected to the branch input port is connected to an anti-reflection termination.
- 15 38. An add/drop multiplexer as claimed in claim 32 comprising a linear network of basic multiplexer units.
39. An add/drop multiplexer as claimed in claim 38, wherein the linear network comprises a linear array of matched pairs of basic multiplexer units, each basic multiplexer unit of a matched pair of units having the same predetermined carrier wavelengths for diversion from the first input to the second output and from the second input to the first output thereof, and wherein the second input and second output of a first basic multiplexer unit of the pair and the first input and first output of a second basic multiplexer unit of the pair are connected to form a ring.
- 20 40. An add/drop multiplexer as claimed in claim 39, wherein the first input and first output of the first basic multiplexer unit of a pair are for connection, respectively, to the trunk input port and the trunk output port for a given trunk fibre.
- 25

- 5 41. An add/drop multiplexer as claimed in claim 39 or claim 40, wherein the second input of the second basic multiplexer unit of a pair is connected to receive signals routed from the branch input port, and the second output of the second basic multiplexer unit of a pair is connected to transmit signals for routing to the branch output port.
- 10 42. An add/drop multiplexer as claimed in claim 41, further comprising an add/drop line passing from the branch input port to the branch output port through the second inputs and outputs of the second basic multiplexer units of each of the matched pairs of basic multiplexer units.
- 15 43. An add/drop multiplexer as claimed in any of claims 39 to 42, further comprising a plurality of optical attenuators, each of said optical attenuators being on a part of said ring connecting the basic multiplexer units of a matched pair, wherein said plurality of optical attenuators are chosen substantially to balance the losses of each signal path
- 20 between any of the input ports and the output ports.
44. An add/drop multiplexer as claimed in any of claims 31 to 43, wherein a basic multiplexer unit comprises a Mach-Zehnder interferometer.
- 25 45. An add/drop multiplexer as claimed in claim 44, wherein said Mach-Zehnder interferometer consists of an input fibre coupler, an output fibre coupler, and a fibre pair between respective inputs/outputs of said fibre couplers, wherein the fibres of said fibre pair have paths which are matched both in path length and in that each of

- 5 said fibres of the fibre pair has thereon one or more notch reflection filters for
matched reflection of signals at predetermined carrier wavelengths on each fibre.
46. An add/drop multiplexer as claimed in any of claims 31 to 42, wherein a basic
multiplexer unit comprises a pair of optical circulators with one or more notch
10 reflection filters on a fibre connecting the optical circulators of said pair.
47. An add/drop multiplexer as claimed in claim 46, wherein said optical circulators are
three port optical circulators.
- 15 48. Add/drop multiplexer for use in optical wavelength division multiplexing, said
add/drop multiplexer having a first trunk input port for receiving traffic signals from
a first part of a first trunk fibre and a first trunk output port to provide traffic signals
to a second part of the first trunk fibre, a second trunk input port for receiving traffic
signals from a first part of a second trunk fibre and a second trunk output port to
20 provide traffic signals to a second part of the second trunk fibre, and first and second
branch input/output ports for receiving signals from and providing signals to branch
fibres, wherein the add/drop multiplexer is adapted both to input one or more branch
input signals and output one or more branch output signals at each of said
input/outputs.
- 25 49. Add/drop multiplexer as claimed in claim 48, wherein the add/drop multiplexer
comprises a plurality of optical fibre couplers and notch reflection filters.

- 5 50. Branching unit as claimed in claim 49, wherein said first trunk input port is connected to a first left-side connection to a first optical fibre coupler, said first trunk output port is connected to a first right-side connection to a second optical fibre coupler, said first branch input/output port is connected to a left-side connection to a third fibre optic coupler, said second branch input/output port is connected to a first right-side connection to a fourth fibre optic coupler, said second trunk input port is connected to a second right-side input to a sixth fibre optic coupler, and said second trunk output port is connected to a second left-side connection to a fifth fibre optic coupler, wherein a first right-side connection of the third coupler is connected to a second left-side connection of the first coupler, a second right-side connection of the third coupler is connected to a first left-side connection of the fifth coupler, a first left-side connection of the fourth coupler is connected to a second right-side connection of the second coupler, and a second left-side connection of the fourth coupler is connected to a first right-side connection of the sixth coupler, and wherein a first right-side connection of the first coupler is connected to a first left-side connection of the second coupler through a first group of notch reflection filters, and a first right-side connection of the fifth coupler is connected to a first left-side connection of the sixth coupler through a second group of notch reflection filters.
- 10
- 15
- 20
- 25 51. Add/drop multiplexer as claimed in claim 48, comprising a plurality of three-port optical circulators and a plurality of notch reflection filters.
52. Add/drop multiplexer as claimed in claim 51, wherein said trunk input ports, trunk output ports, and branch input/output ports comprise a plurality of sets, each set

- 5 comprising one trunk input port, one trunk output port, and one branch input/output port, wherein three three-port optical circulators and one group of notch reflection filters are provided for each set.
- 10 53. Add/drop multiplexer as claimed in claim 52, wherein for each set there are first, second and third three-port circulators, wherein for the first three-port circulator the first port is connected to receive signals input from others of said sets of signals, the second port is connected to the second port of the second three-port circulator through the group of notch reflection filters, and the third port is connected to the trunk output port of the set, wherein for the second three-port circulator the first port is connected to the trunk input port of the set and the third port is connected to the first port of the third three-port circulator, and wherein for the third three-port circulator the second port is connected to the branch input/output port of the set and the third port is connected to provide signals to be received in other sets of signals.
- 15
- 20 54. Add/drop multiplexer as claimed in claim 48, comprising a plurality of three-port circulators, a plurality of four-port circulators, and a plurality of notch reflection filters.
- 25 55. Add/drop multiplexer as claimed in claim 54, wherein for each four-port circulator a port is connected to one of said trunk input ports or trunk output ports and to one of said branching input/output ports, and wherein for each three-port circulator a port is connected to one of said trunk input ports or trunk output ports.

- 5 56. Add/drop multiplexer as claimed in claim 54 or 55, wherein each said four-port circulator is connected to another four-port circulator through a group of notch reflection filters.
- 10 57. Add/drop multiplexer as claimed in claim 54, 55 or 56, wherein each said three-port circulator is connected to another three-port circulator through a group of notch reflection filters.
- 15 58. Add/drop multiplexer as claimed in any of claims 54 to 57, wherein each said four-port circulator is connected to one of said three-port circulators.
- 20 59. Add/drop multiplexer as claimed in claim 58, comprising a first and a second four-port circulator, a first and a second three-port circulator, and a first and a second group of notch reflection filters, wherein for the first four-port circulator the first port is connected to the first trunk input port, the second port is connected to the third port of the second four-port circulator through the first group of notch reflection filters, the third port is connected to the first branching input/output port, and the fourth port is connected to the first port of the first three-port circulator, wherein for the second four-port circulator the first port is connected to the third port of the second three-port circulator, the second port is connected to the second branching input/output port, and the fourth port is connected to the first trunk output port, wherein for the first three-port circulator the second port is connected to the second port of the second three-port circulator through said second group of notch reflection filters, and said third port is connected to said second trunk output port, and wherein for the second
- 25

5 three-port circulator the first port is connected to said second trunk input port.

60. Add/drop multiplexer as claimed in claim 48, comprising two five-port circulators.

61. Add/drop multiplexer as claimed in claim 60, wherein said first trunk input port is
10 connected to the first port of said first five-port circulator and said second trunk input
port is connected to the first port of said second five-port circulator.

62. Add/drop multiplexer as claimed in claim 60 or claim 61, wherein said first trunk
output port is connected to the fifth port of one of the first and second five-port
15 circulators and the second trunk output port is connected to the fifth port of the other
of the first and second five-port circulators.

63. Add/drop multiplexer as claimed in any of claims 60 to 62, wherein the first
branching input/output port is connected to the third port of the first five-port
20 circulator, and the second branching input/output port is connected to the third port
of the second five-port circulator.

64. Add/drop multiplexer as claimed in any of claims 60 to 63, wherein the second port
and the fourth port are connected to each other for both the first and the second five-
25 port circulators.

65. Add/drop multiplexer as claimed in claim 64, wherein a group of notch reflection
filters is located on each connection between a second port and a fourth port of a five-

- 5 port circulator to route traffic signals from the trunk input port connected to the first port of that circulator to the appropriate output port as determined by the carrier wavelength of the traffic signals.
66. Add/drop multiplexer as claimed in claim 65 where dependent on claims 62 and 63,
10 wherein the fifth port of the first five-port circulator is connected to the first trunk output port and the fifth port of the second five-port circulator is connected to the second trunk output port.
67. Add/drop multiplexer as claimed in any of claims 60 to 63, wherein the second port
15 of the first five-port circulator is connected to the fourth port of the second five-port circulator and the second port of the second five-port circulator is connected to the fourth port of the first five-port circulator.
68. Add/drop multiplexer as claimed in claim 67, wherein a group of notch reflection
20 filters is located on each connection between a second port and a fourth port of a five-port circulator to route traffic signals from the trunk input port connected to the first port of that circulator to the appropriate output port as determined by the carrier wavelength of the traffic signals.
- 25 69. Add/drop multiplexer as claimed in claim 67 or claim 68, wherein the second trunk output port is connected to the fifth port of the first five-port circulator and the first trunk fibre output port is connected to the fifth port of the second five-port circulator.

- 5 70. Add/drop multiplexer as claimed in any of claims 48 to 69, further comprising an exchange circuit which is adapted for connection to a branch input port, a branch output port, the first branch input/output port and the second branch input/output port, and adapted for receiving signals from a branch station through the branch input port and for routing them to the first branch input/output port or the second branch input/output port according to carrier wavelength, and further adapted for receiving traffic signals from the first branch input/output port and the second branch input/output port and for combining them for routing to the branch output port.
- 10
- 15 71. Add/drop multiplexer as claimed in claim 70, wherein the exchange circuit comprises first and second four-port circulators, wherein for the first four-port circulator the first port is connected to the branch input port, the second port is connected through a first group of notch reflection filters to the first port of the second four-port circulator, the third port is connected to the first branch input/output port, and the fourth port is connected through a second group of notch reflection filters to the third port of the second four-port circulator, and wherein for the second four-port circulator the second port is connected to the second branch input/output port and the fourth port is connected to the branch output fibre.
- 20
- 25 72. Add/drop multiplexer for use in optical wavelength division multiplexing, said add/drop multiplexer having a first trunk input port for receiving traffic signals from a first part of a first trunk fibre and a first trunk output port to provide traffic signals to a second part of the first trunk fibre, a second trunk input port for receiving traffic signals from a first part of a second trunk fibre and a second trunk output port to

5 provide traffic signals to a second part of the second trunk fibre, and first and second branch ports for receiving signals from and providing signals to a branch station, wherein the add/drop multiplexer comprises:

10 a first and a second five-port optical circulator for routing according to carrier wavelength to the branch station via the branch ports designated signals from the first and second trunk input ports, and for routing according to carrier wavelength to the first and second trunk output ports designated signals from the branch ports.

15 73. Add/drop multiplexer as claimed in claim 72, wherein said first trunk input port is connected to the first port of said first five-port circulator and said second trunk input port is connected to the first port of said second five-port circulator.

20 74. Add/drop multiplexer as claimed in claim 72 or claim 73, wherein said first trunk output port is connected to the fifth port of one of the first and second five-port circulators and the second trunk output port is connected to the fifth port of the other of the first and second five-port circulators.

25 75. Add/drop multiplexer as claimed in any of claims 72 to 74, wherein the first branch port is connected to the third port of the first five-port circulator, and the second branch port is connected to the third port of the second five-port circulator.

76. Add/drop multiplexer as claimed in any of claims 72 to 75, wherein the second port

- 5 and the fourth port are connected to each other for both the first and the second five-
port circulators.
77. Add/drop multiplexer as claimed in claim 76, wherein a group of notch reflection
filters is located on each connection between a second port and a fourth port of a five-
10 port circulator to route traffic signals from the trunk input port connected to the first
port of that circulator to the appropriate output port or branch port as determined by
the carrier wavelength of the traffic signals.
78. Add/drop multiplexer as claimed in claim 77 where dependent on claims 74 and 75,
15 wherein the fifth port of the first five-port circulator is connected to the first trunk
output port and the fifth port of the second five-port circulator is connected to the
second trunk output port.
79. Add/drop multiplexer as claimed in any of claims 72 to 75, wherein the second port
20 of the first five-port circulator is connected to the fourth port of the second five-port
circulator and the second port of the second five-port circulator is connected to the
fourth port of the first five-port circulator.
80. Add/drop multiplexer as claimed in claim 79, wherein a group of notch reflection
25 filters is located on each connection between a second port and a fourth port of a five-
port circulator to route traffic signals from the trunk input port connected to the first
port of that circulator to the appropriate output port or branch port as determined by
the carrier wavelength of the traffic signals.

- 5 81. Add/drop multiplexer as claimed in claim 79 or claim 80, wherein the second trunk output port is connected to the fifth port of the first five-port circulator and the first trunk fibre output port is connected to the fifth port of the second five-port circulator.
- 10 82. Add/drop multiplexer as claimed in any of claims 72 to 81, further comprising an exchange circuit which is adapted for connection to a branch input port, a branch output port, the first branch port and the second branch port, and adapted for receiving signals from a branch station through the branch input port and for routing them to the first branch port or the second branch port according to carrier wavelength, and further adapted for receiving traffic signals from the first branch port and the second branch port and for combining them for routing to the branch output port.
- 15 83. Add/drop multiplexer as claimed in claim 82, wherein the exchange circuit comprises first and second four-port circulators, wherein for the first four-port circulator the first port is connected to the branch input port, the second port is connected through a first group of notch reflection filters to the first port of the second four-port circulator, the third port is connected to the first branch port, and the fourth port is connected through a second group of notch reflection filters to the third port of the second four-port circulator, and wherein for the second four-port circulator the second port is connected to the second branch port and the fourth port is connected to the branch output fibre.
- 20 25 84. Add/drop multiplexer as claimed in claim 82 or claim 83 where dependent on claim

- 5 78, wherein the add/drop multiplexer is adapted to provide balanced losses for each traffic signal passing between a given trunk input port and its respective trunk output port, and balanced losses for each remaining path between an input port and an output port.
- 10 85. Add/drop multiplexer as claimed in any of the preceding claims where dependent on any one of claims 15, 19, 22, 45, 46, 49 to 54, 56, 57, 59, 65, 68, 71, 77, 80 and 83, where said notch reflection filters are fibre Bragg gratings.
- 15 86. A branching unit for use in a fibre optic network comprising an add/drop multiplexer as claimed in any preceding claim.
- 20 87. A fibre optic network, comprising two terminal stations, two or more trunk fibres for connecting said two terminal stations, one or more branch stations each connected by a spur fibre to a fibre trunk defined by said two or more trunk fibres, and one or more branching units as claimed in claim 86 on the fibre trunk each to allow exchange of traffic signals between said trunk fibres and one or more of said spur fibres.
- 25 88. A fibre optic network as claimed in claim 87 and adapted such that a substantial part of said fibre trunk comprises submarine cable, and in that said one or more branching units are adapted for submarine use.

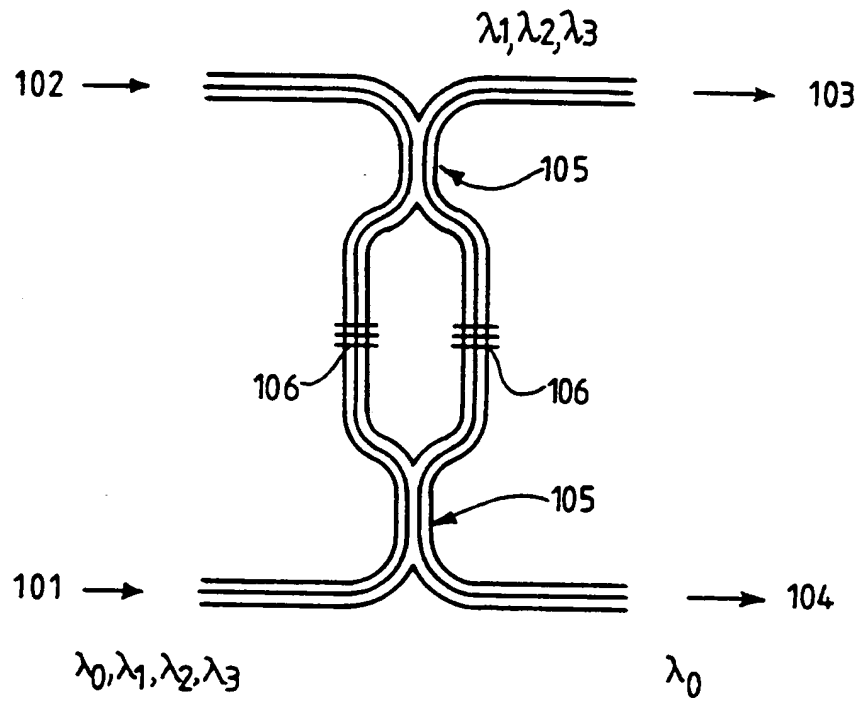


FIG.1.

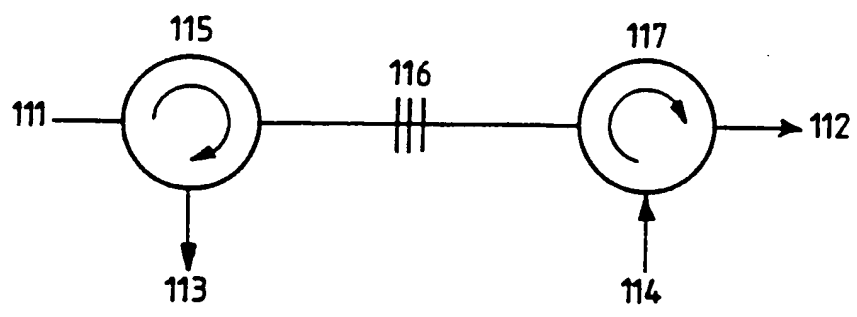


FIG.3.

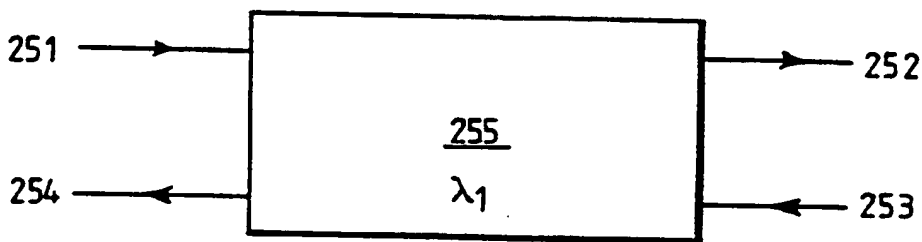


FIG.2.

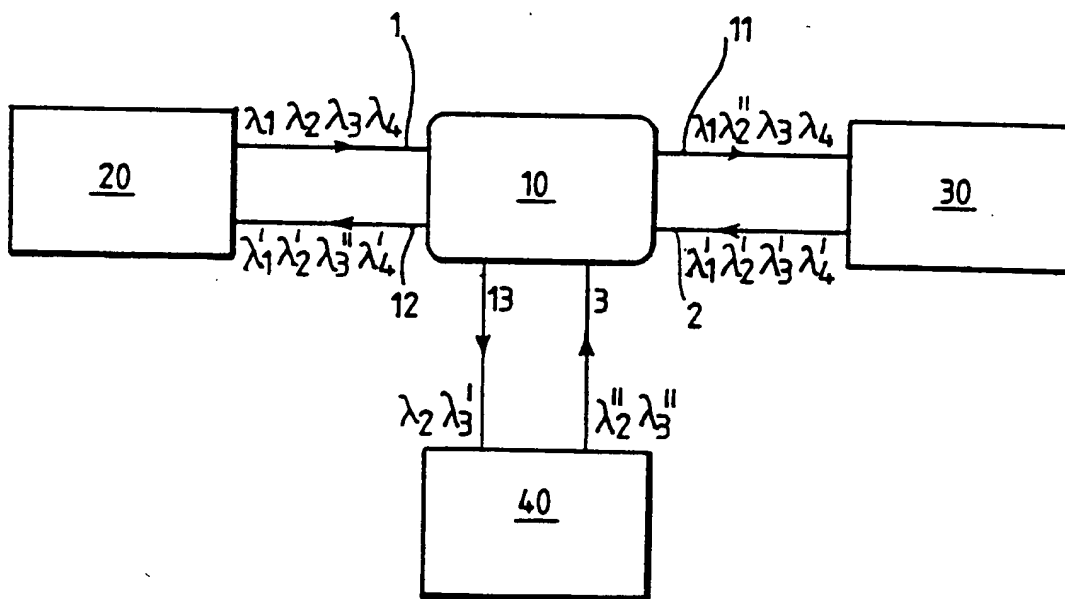


FIG.6.

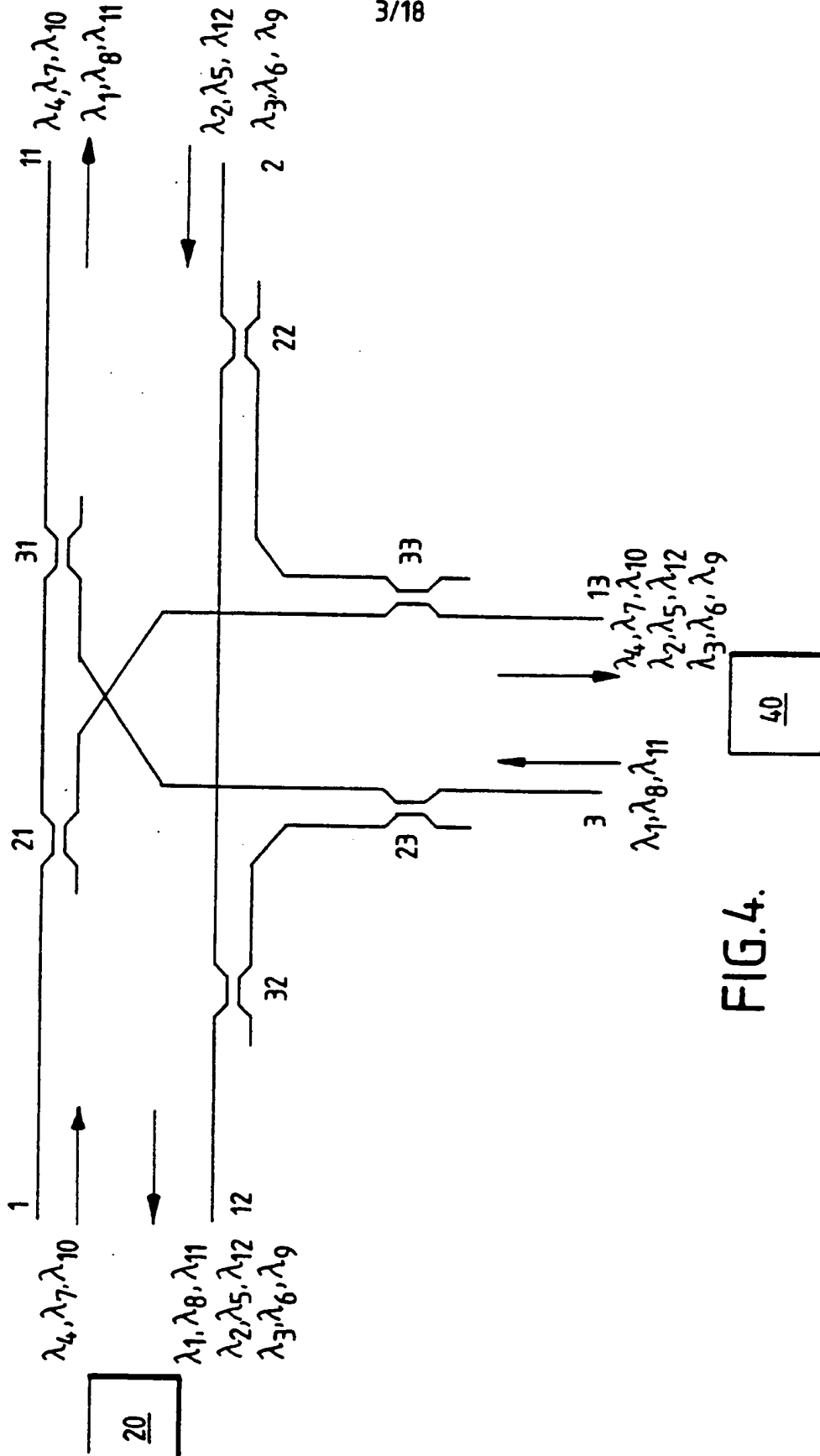


FIG.4.

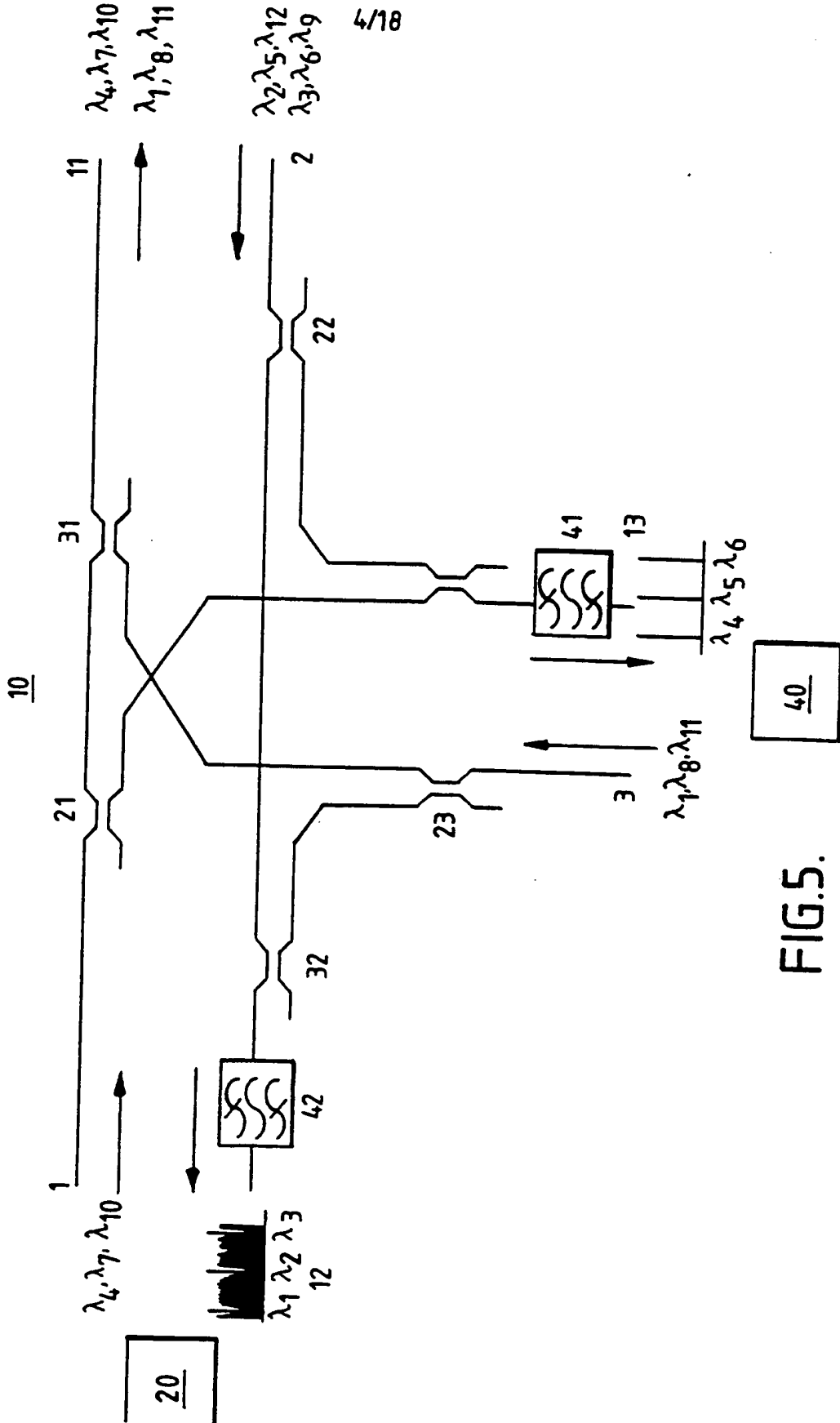
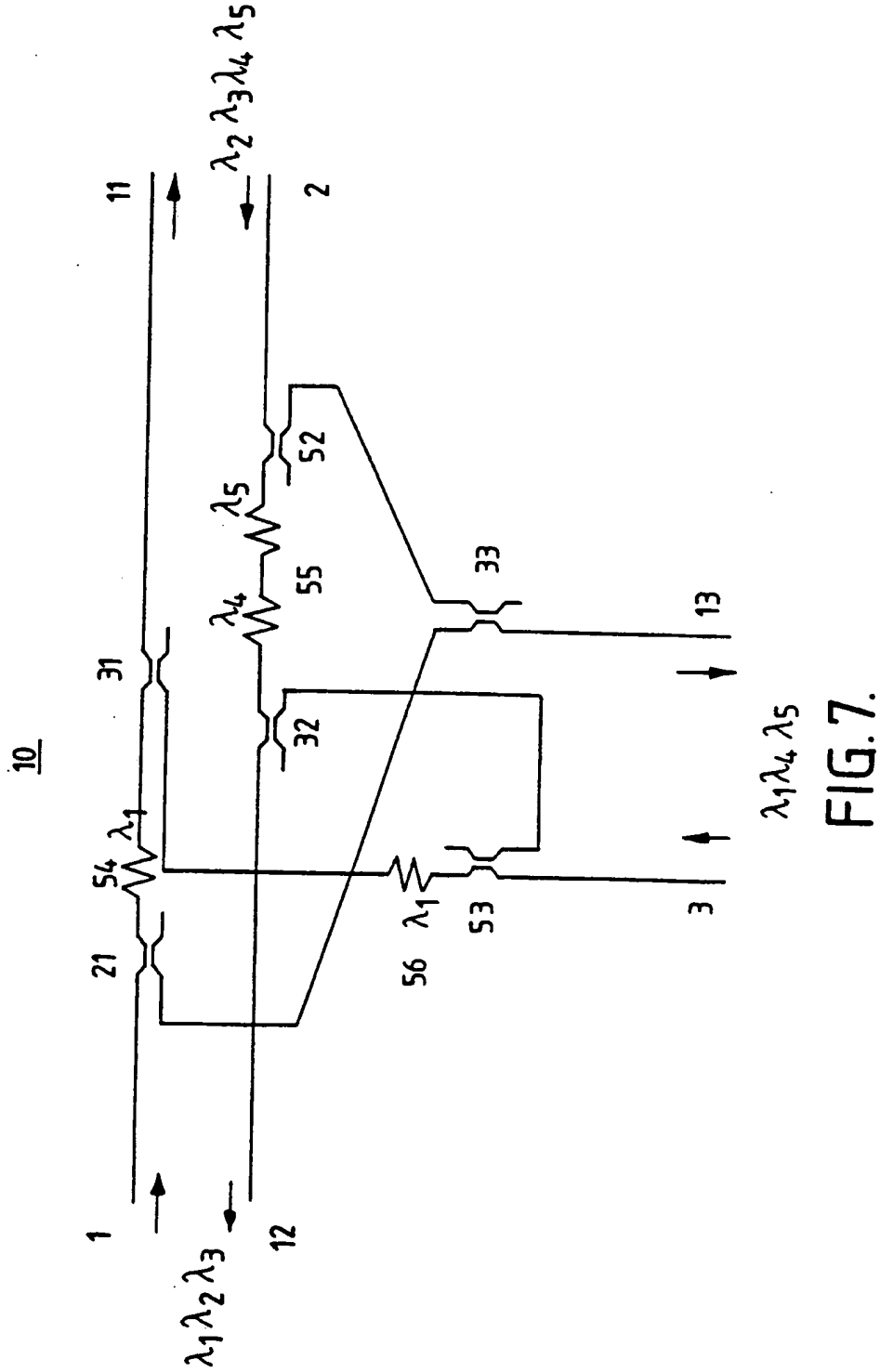


FIG.5.



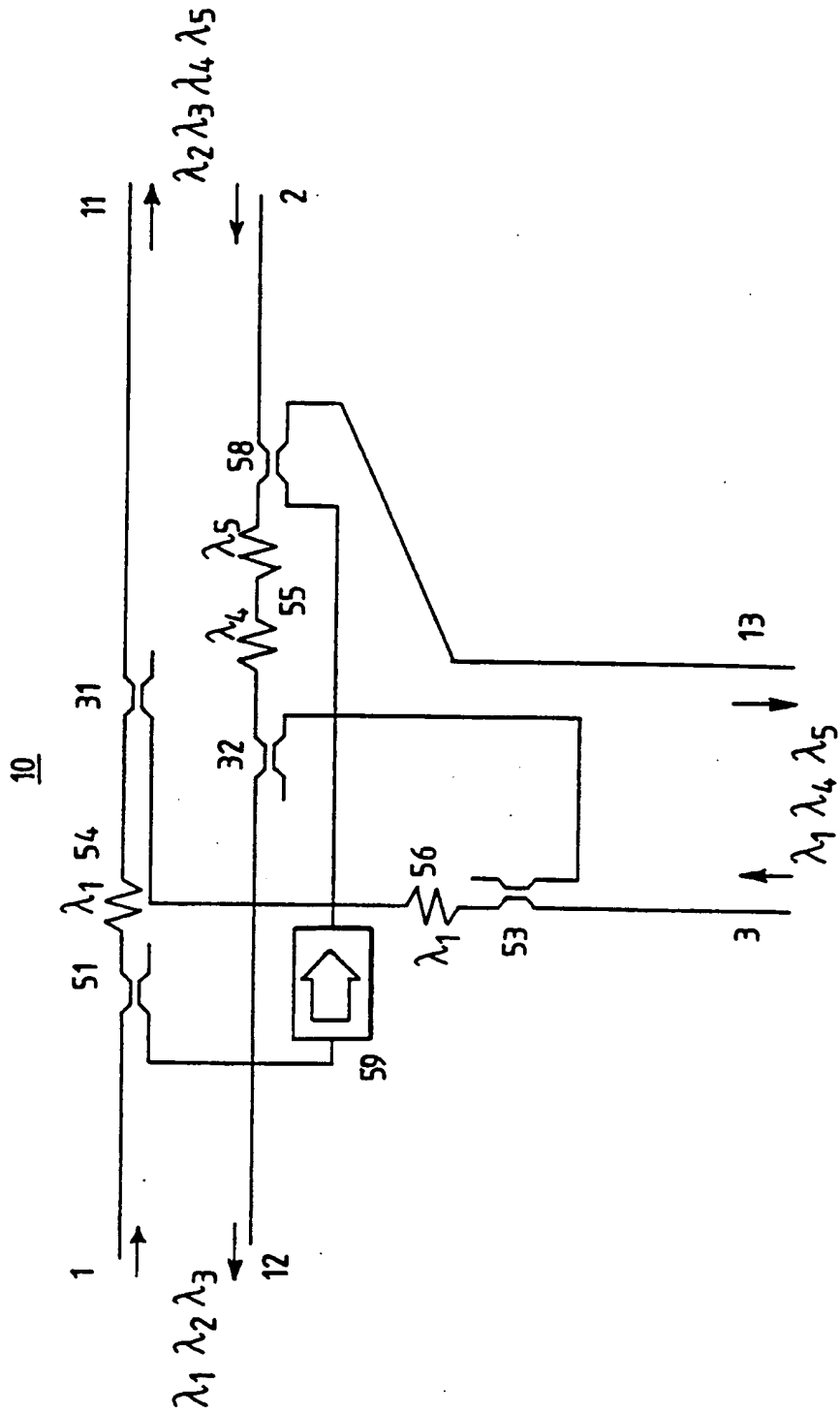


FIG.8.

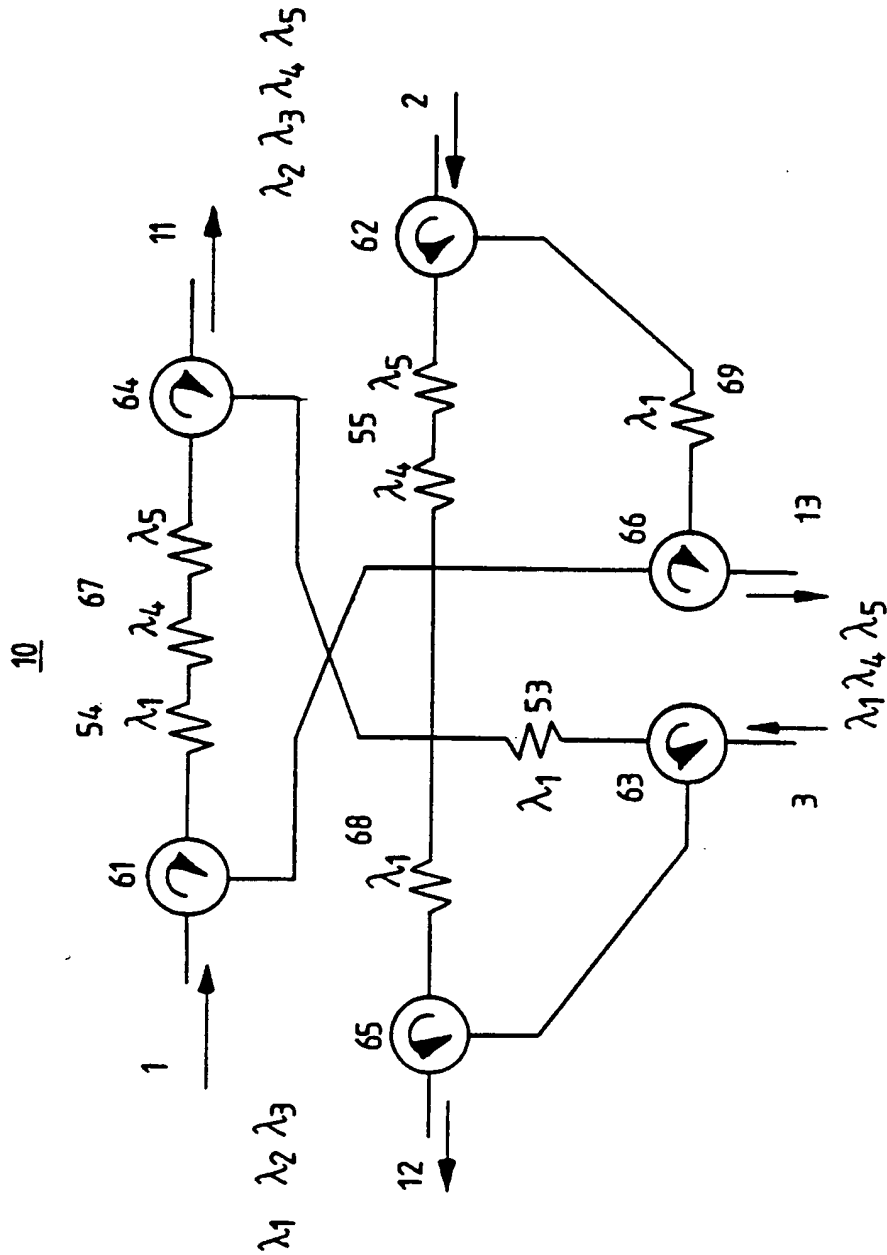


FIG. 9.

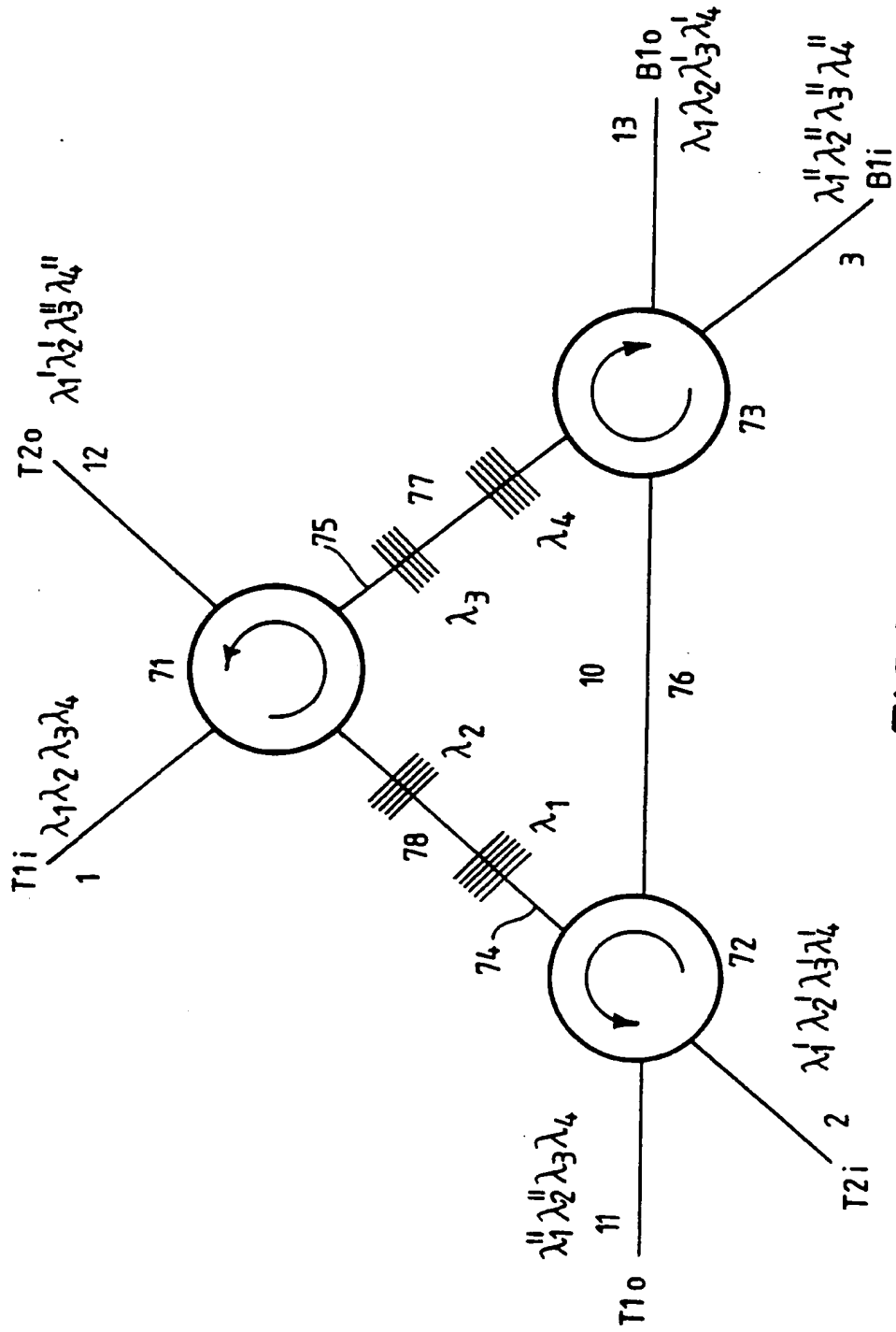


FIG.10.

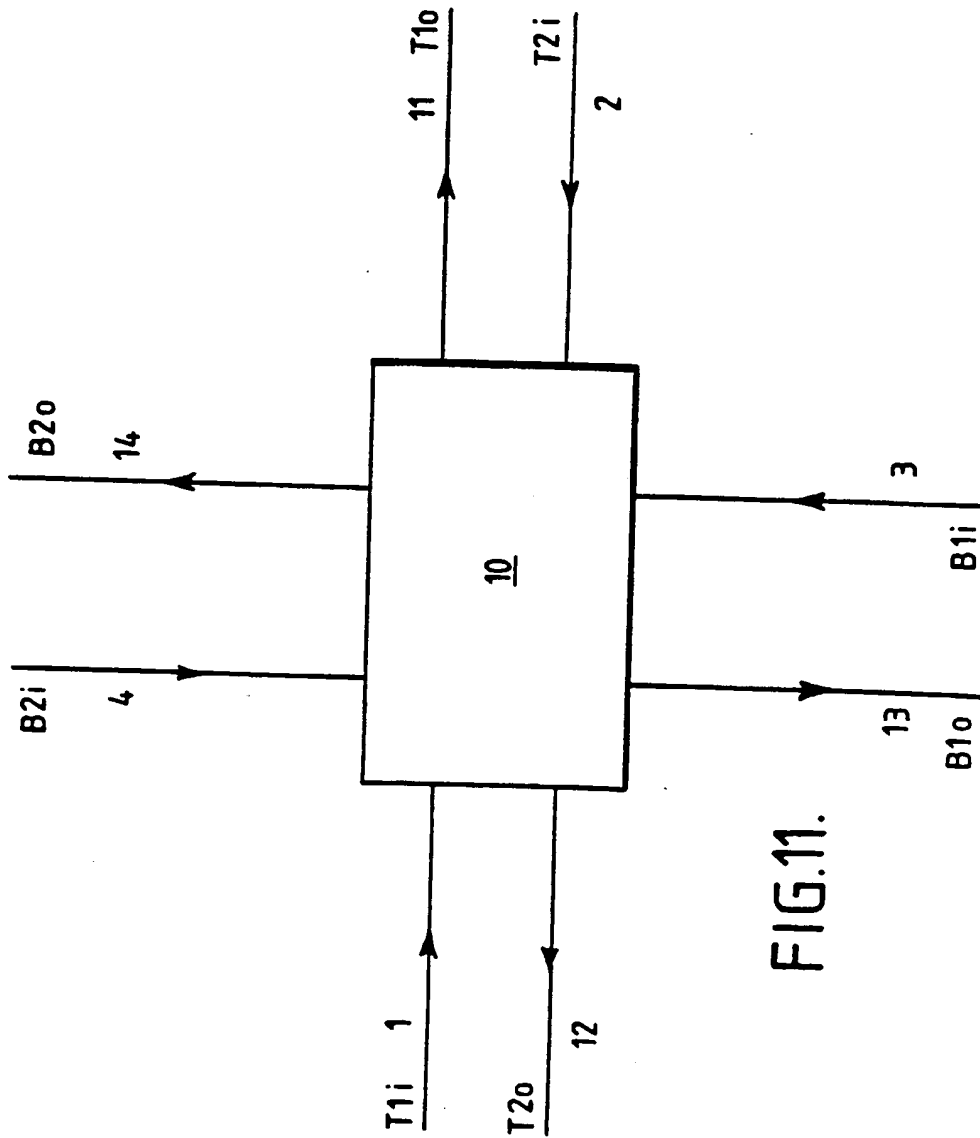


FIG.11.

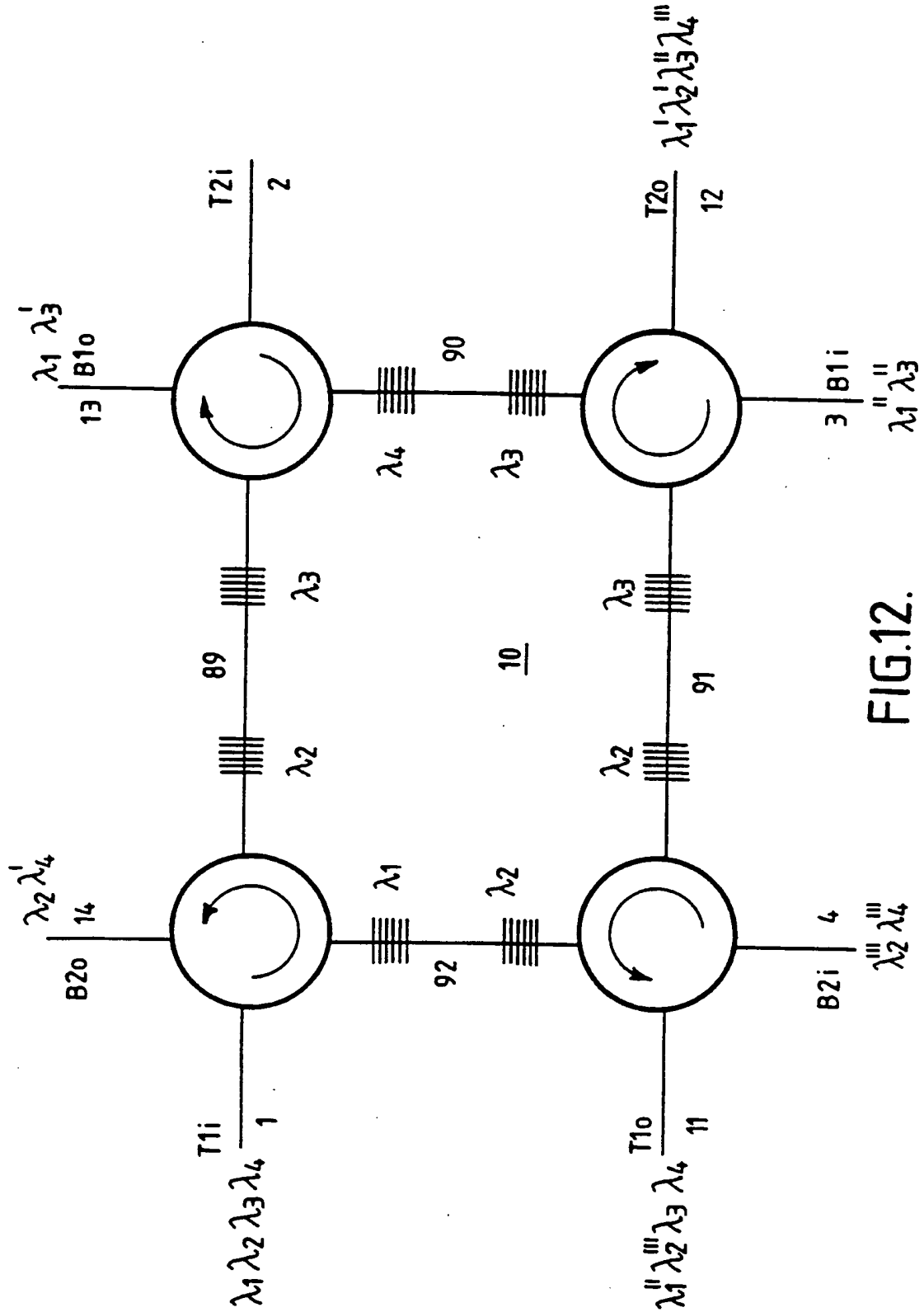


FIG.12.

11/18

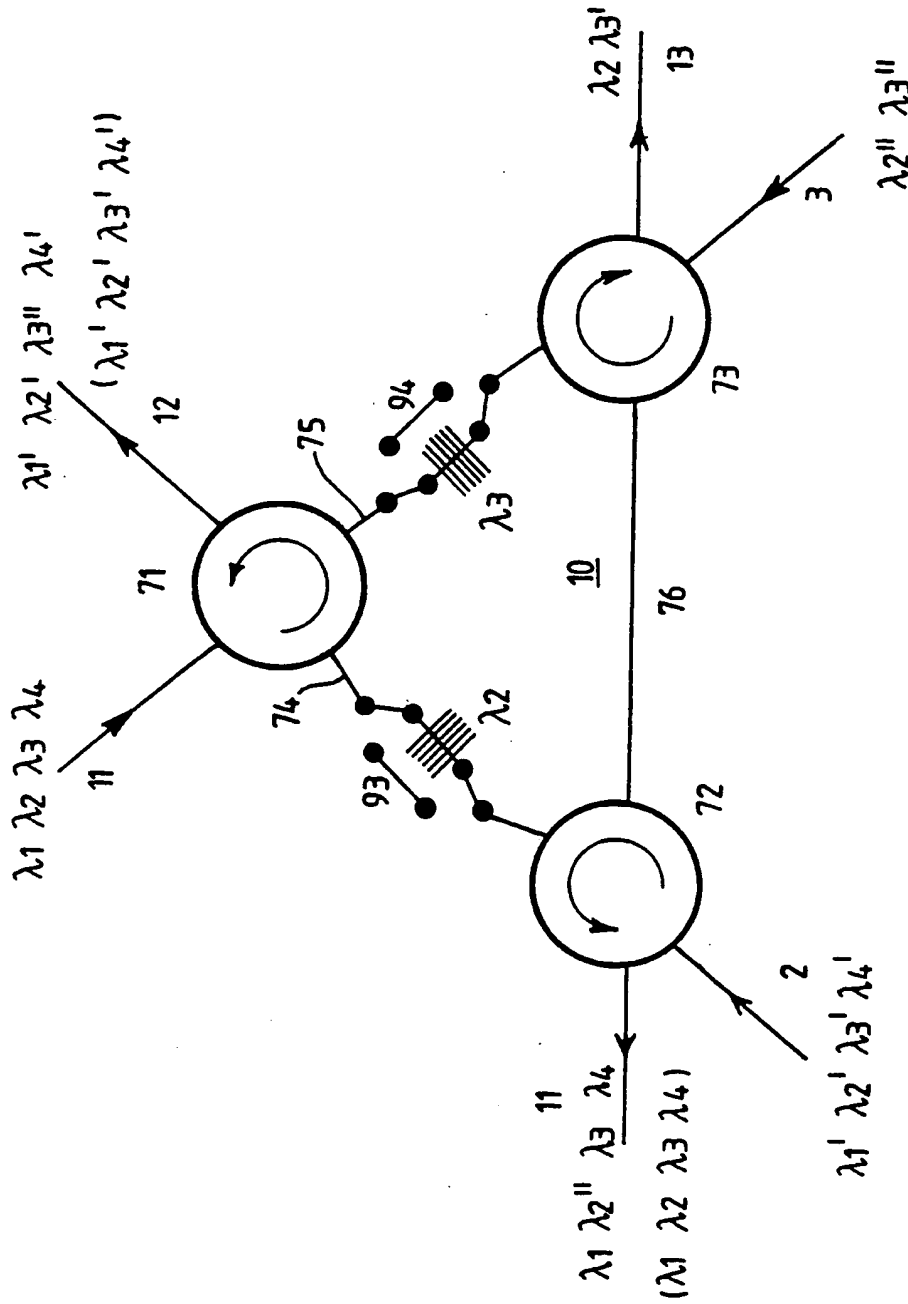


FIG.13.

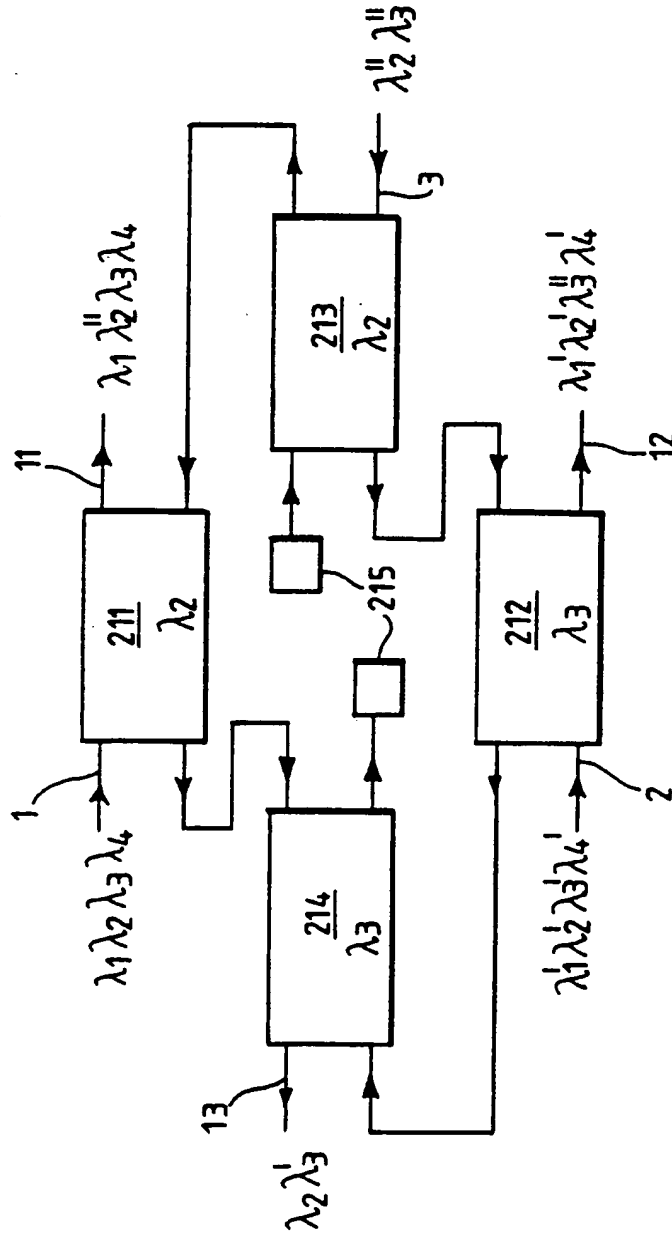


FIG.14.

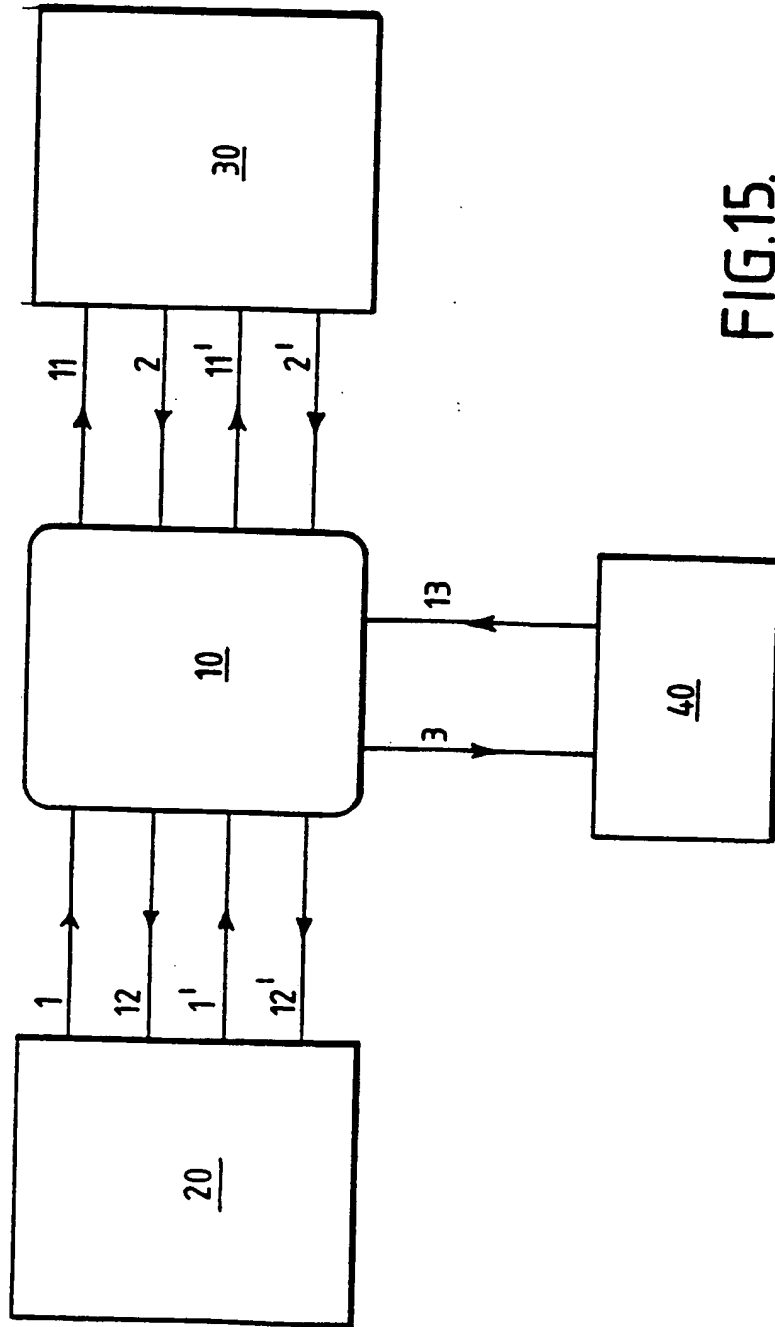


FIG.15.

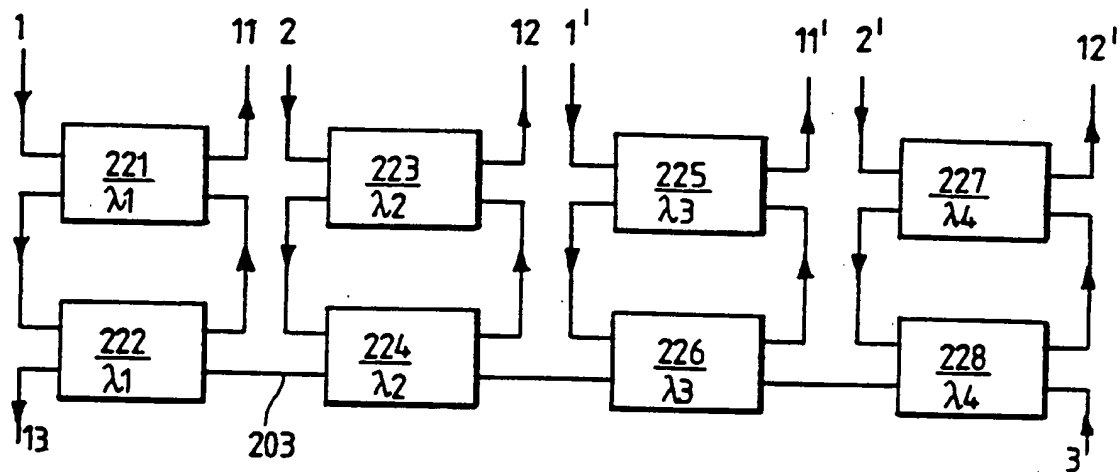


FIG.16.

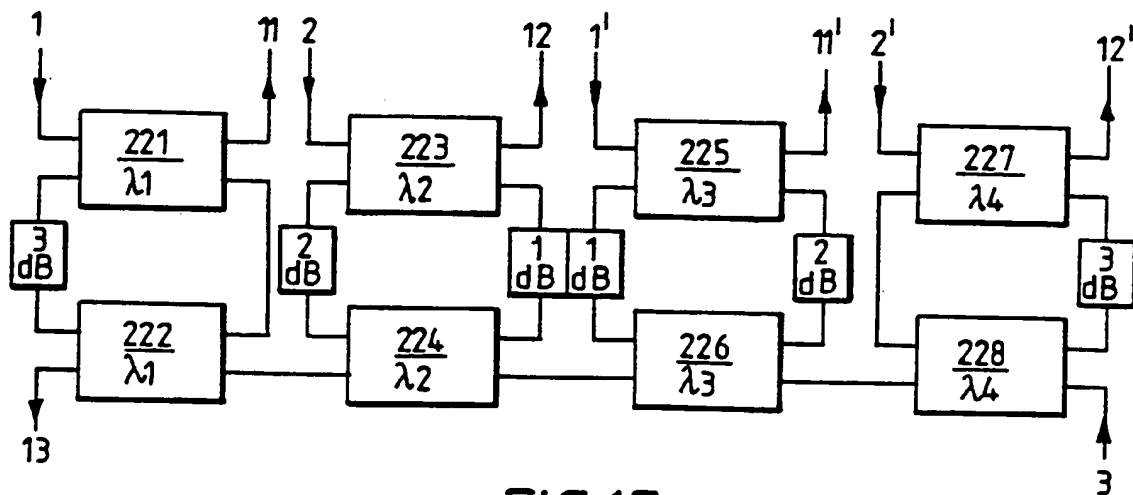


FIG.17.

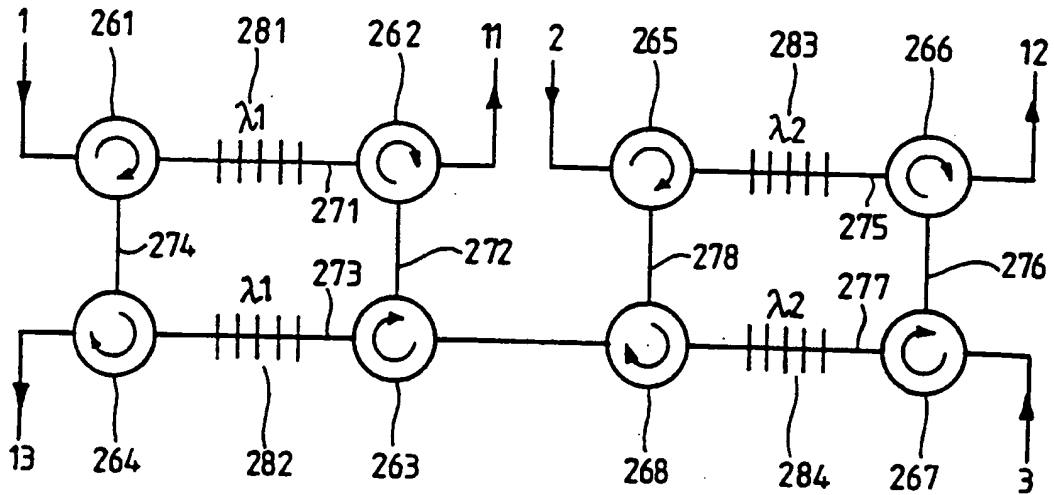


FIG. 18.

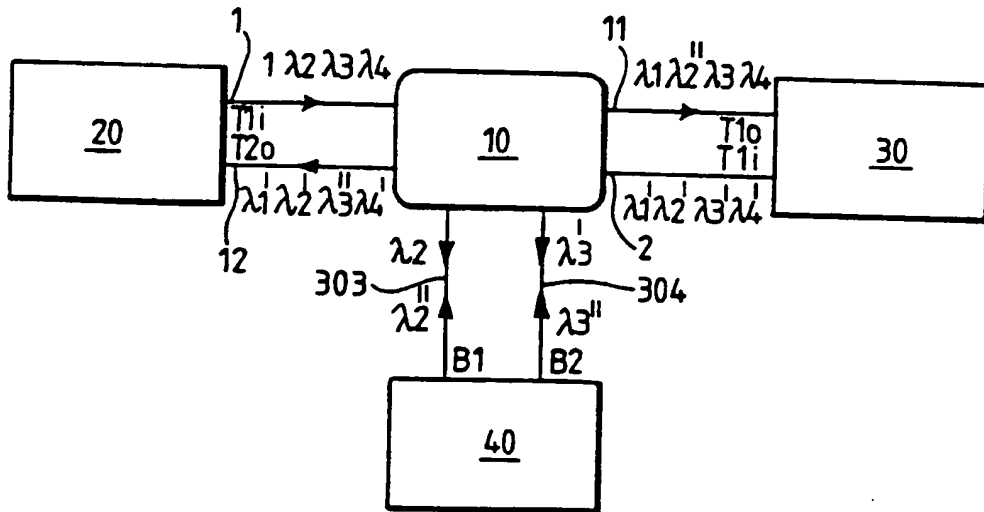


FIG. 19.

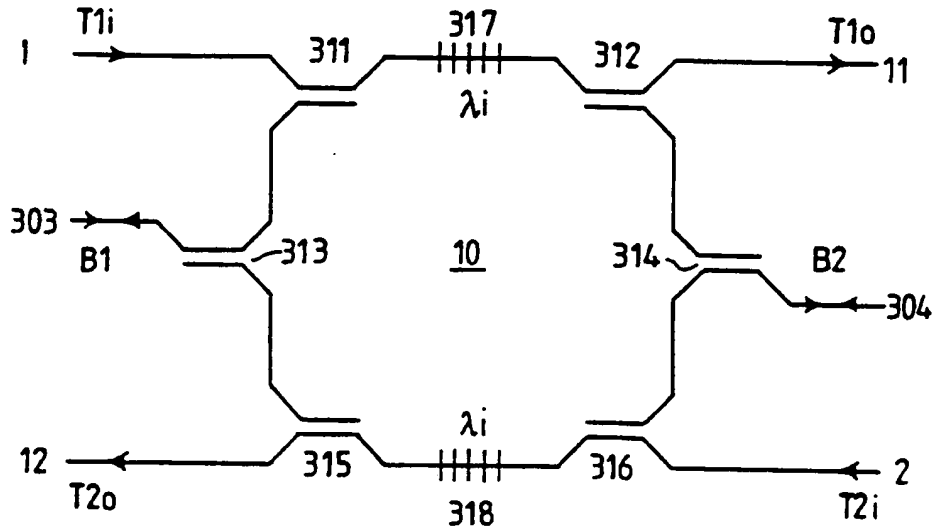


FIG.20.

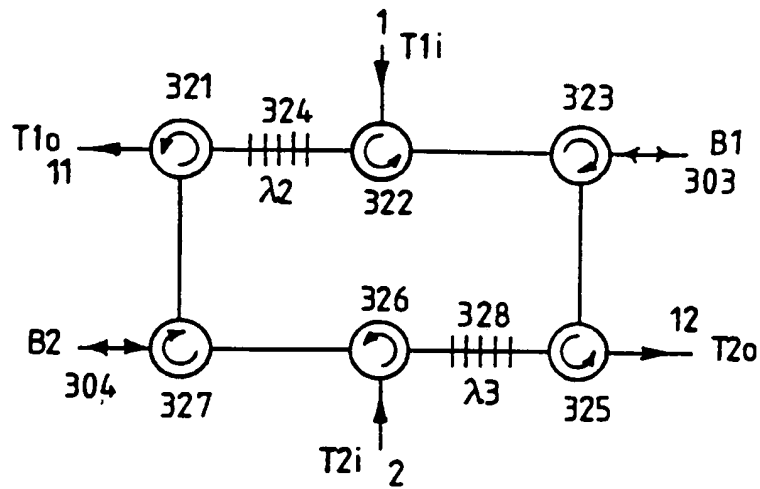


FIG.21.

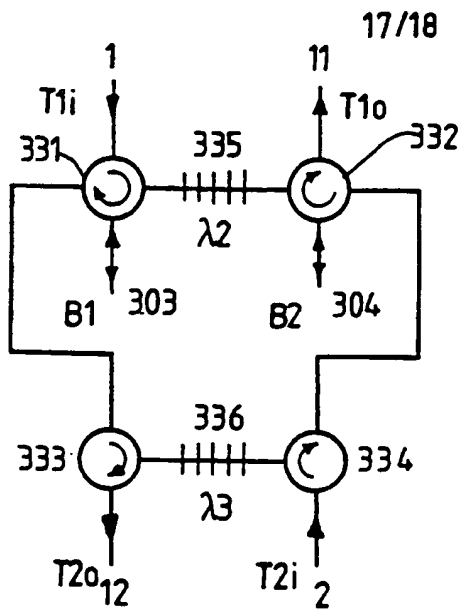


FIG. 22.

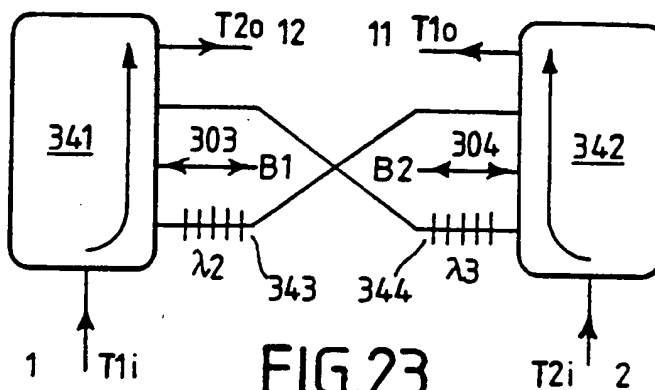


FIG. 23.

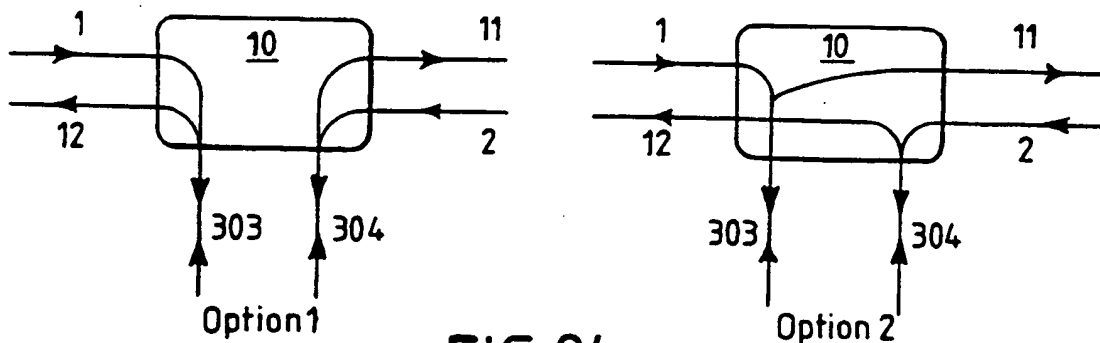


FIG. 24.

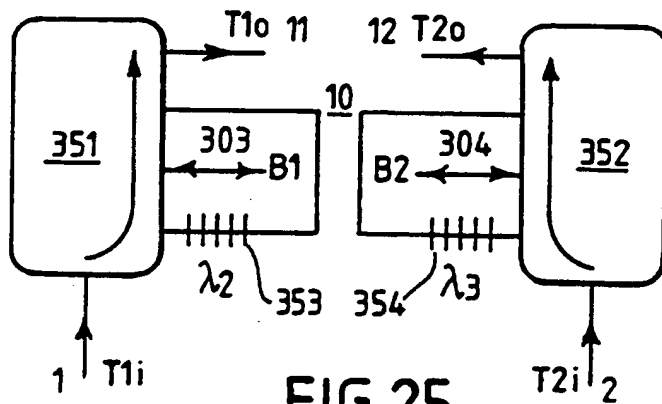


FIG.25.

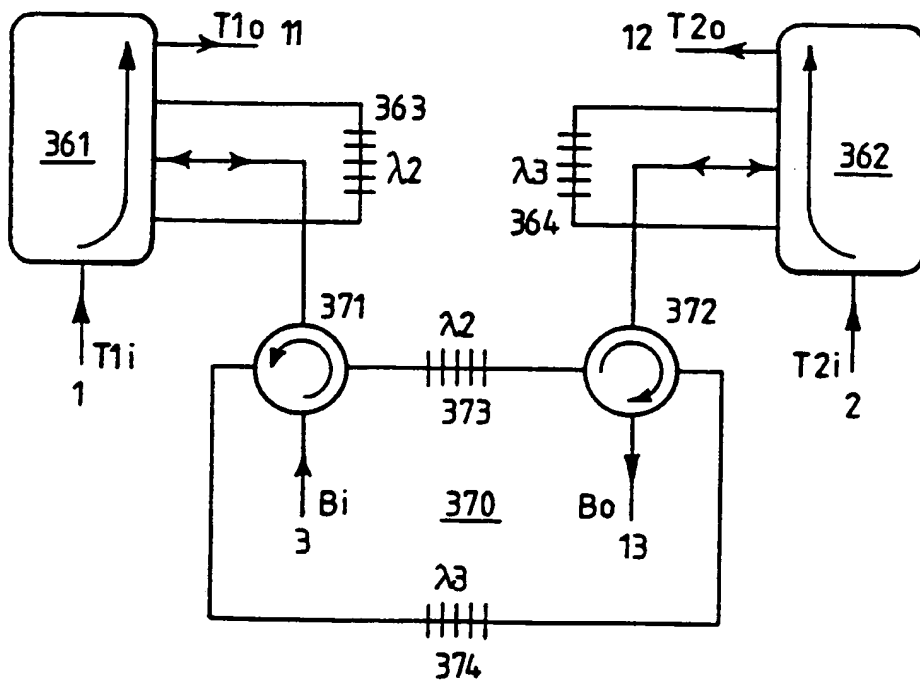


FIG.26.

INTERNATIONAL SEARCH REPORT

International Application No
PCT/GB 96/01891

A. CLASSIFICATION OF SUBJECT MATTER
IPC 6 H04J3/08 H04J14/02

According to International Patent Classification (IPC) or to both national classification and IPC

B. FIELDS SEARCHED

Minimum documentation searched (classification system followed by classification symbols)
IPC 6 H04J

Documentation searched other than minimum documentation to the extent that such documents are included in the fields searched

Electronic data base consulted during the international search (name of data base and, where practical, search terms used)

C. DOCUMENTS CONSIDERED TO BE RELEVANT

Category*	Citation of document, with indication, where appropriate, of the relevant passages	Relevant to claim No.
A	EP,A,0 410 712 (OKI ELECTRIC INDUSTRY CO. LTD.) 30 January 1991 see column 6, line 23 - line 36 see column 8, line 20 - column 9, line 13 ---	1,3,11, 22,31, 48,72
A	IEEE PHOTONICS TECHNOLOGY LETTERS, JUNE 1994, USA, vol. 6, no. 6, ISSN 1041-1135, pages 760-763, XP000457241 WILLNER A E ET AL: "Optically-amplified WDM ring network incorporating channel-dropping filters" * the whole document * ---	1,3,11, 22,31, 48,72
	-/--	

Further documents are listed in the continuation of box C. Patent family members are listed in annex.

* Special categories of cited documents :

'A' document defining the general state of the art which is not considered to be of particular relevance 'E' earlier document but published on or after the international filing date 'L' document which may throw doubts on priority claim(s) or which is cited to establish the publication date of another citation or other special reason (as specified) 'O' document referring to an oral disclosure, use, exhibition or other means 'P' document published prior to the international filing date but later than the priority date claimed	'T' later document published after the international filing date or priority date and not in conflict with the application but cited to understand the principle or theory underlying the invention 'X' document of particular relevance; the claimed invention cannot be considered novel or cannot be considered to involve an inventive step when the document is taken alone 'Y' document of particular relevance; the claimed invention cannot be considered to involve an inventive step when the document is combined with one or more other such documents, such combination being obvious to a person skilled in the art. '*&' document member of the same patent family
---	--

Date of the actual completion of the international search 6 November 1996	Date of mailing of the international search report 29.11.96
---	---

Name and mailing address of the ISA European Patent Office, P.B. 5818 Patentlaan 2 NL - 2280 HV Rijswijk Tel. (+ 31-70) 340-2040, Tx. 31 651 epo nl, Fax (+ 31-70) 340-3016	Authorized officer <p style="text-align: center;">Canali, F</p>
---	---

INTERNATIONAL SEARCH REPORT

International Application No
 PC1/GB 96/01891

C.(Continuation) DOCUMENTS CONSIDERED TO BE RELEVANT

Category	Citation of document, with indication, where appropriate, of the relevant passages	Relevant to claim No.
A	ELECTRONICS LETTERS, 16 MARCH 1995, UK, vol. 31, no. 6, ISSN 0013-5194, pages 476-477, XP000530329 CHAWKI M J ET AL: "Wavelength reuse scheme in a WDM unidirectional ring network using a proper fibre grating add/drop multiplexer" cited in the application * the whole document * ---	1,3,11, 22,31, 48,72
A	IEEE PHOTONICS TECHNOLOGY LETTERS, APRIL 1995, USA, vol. 7, no. 4, ISSN 1041-1135, pages 388-390, XP002017501 BILODEAU F ET AL: "An all-fiber dense wavelength-division multiplexer/demultiplexer using photoimprinted Bragg gratings" cited in the application * the whole document * ---	1,3,11, 22,31, 48,72
P,X	EP,A,0 666 485 (AT & T CORP) 9 August 1995 ---	1-7, 11-14, 22, 31-34, 48,72
Y A	see column 1, line 36 - column 2, line 33 see column 4, line 5 - line 33 --- see column 5, line 22 - column 6, line 13 see claims 1-11 ---	23 8-10, 24-30, 35-47, 49-71, 73-88
P,X	EP,A,0 677 935 (FRANCE TELECOM) 18 October 1995 ---	1,7,11, 22,31, 48,72
Y	see column 1, line 12 - line 21 see column 2, line 11 - line 24 see column 5, line 21 - line 40 see column 9, line 12 - line 26 see claims 1-6 -----	23

INTERNATIONAL SEARCH REPORT

information on patent family members

International Application No

PCT/GB 96/01891

Patent document cited in search report	Publication date	Patent family member(s)	Publication date
EP-A-410712	30-01-91	JP-A- 3057343	12-03-91
		DE-D- 69018151	04-05-95
		DE-T- 69018151	23-11-95
		US-A- 5086349	04-02-92

EP-A-0666485	09-08-95	US-A- 5526153	11-06-96
		AU-A- 1020495	03-08-95
		CA-A- 2135223	22-07-95
		JP-A- 7281042	27-10-95

EP-A-677935	18-10-95	FR-A- 2718869	20-10-95
